

6

5

4

3

2

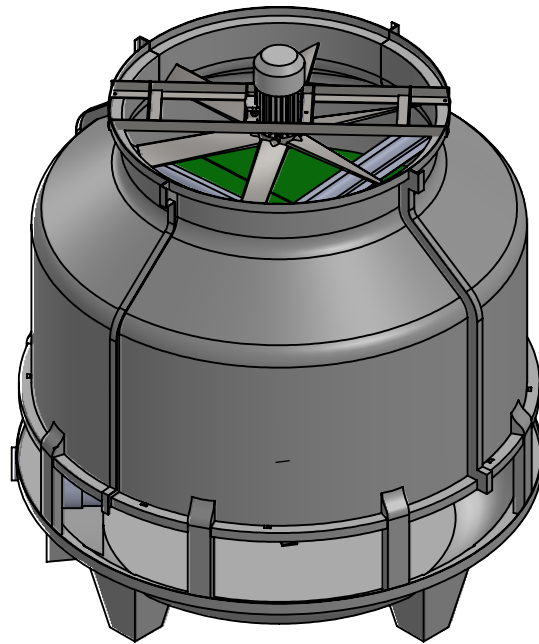
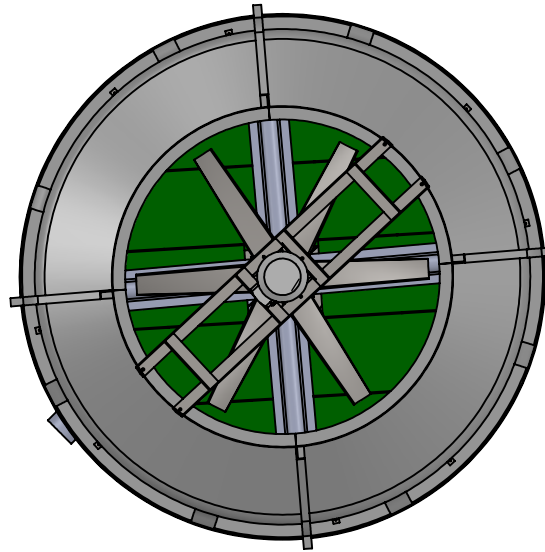
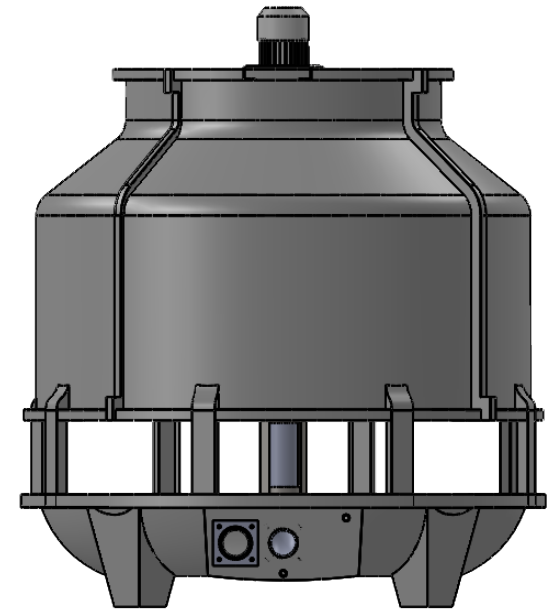
1


Design Condition:Water Flow Rate 56 m<sup>3</sup>/h

Water Inlet Temperature 37 °C

Water Outlet Temperature 32 °C

Wet Bulb Temperature 29 °C

**Isometric View****Top View****Front View**

UNLESS OTHERWISE SPECIFIED: DIMENSIONS ARE IN MILLIMETERS SURFACE FINISH: TOLERANCES: LINEAR: ANGULAR:			FINISH:		DEBURR AND BREAK SHARP EDGES		DO NOT SCALE DRAWING		REVISION		
							TITLE: Top, Front & Isometric View (ART-80)				
							 <b>Artisan Craft (Bd) Ltd.</b> We come when Temperature matters <a href="http://www.artisan-craft.com">www.artisan-craft.com</a>				
			MATERIAL:		DWG NO.						
			WEIGHT:		SCALE:1:30			SHEET 1 OF 1			

	NAME	SIGNATURE	DATE			
DRAWN	Mahmuda		25/02/18			
CHK'D	Shahed		25/02/18			
APPV'D	Shahed		25/02/18			
MFG						
Q.A						

6

5

4

3

2

1

D

D

C

C

B

B

A

A