

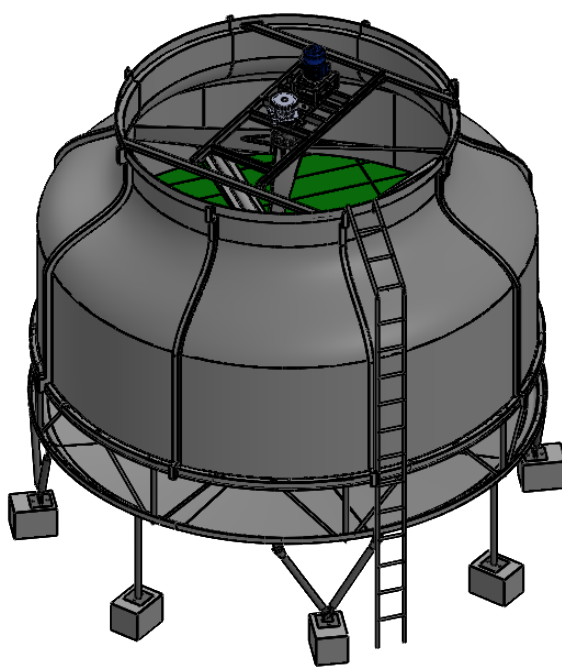
6 5 4 3 2 1

D

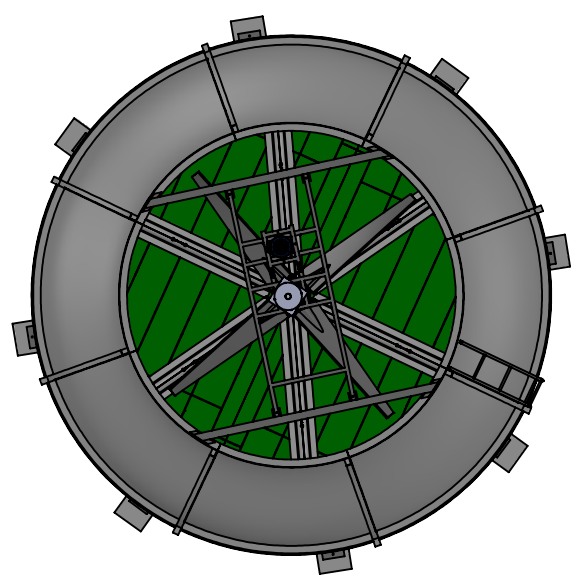
Design Condition:  
 Water Flow Rate 351 m<sup>3</sup>/h  
 Water Inlet Temperature 37 deg °C  
 Water Outlet Temperature 32 °C  
 Wet Bulb Temperature 29 °C

D

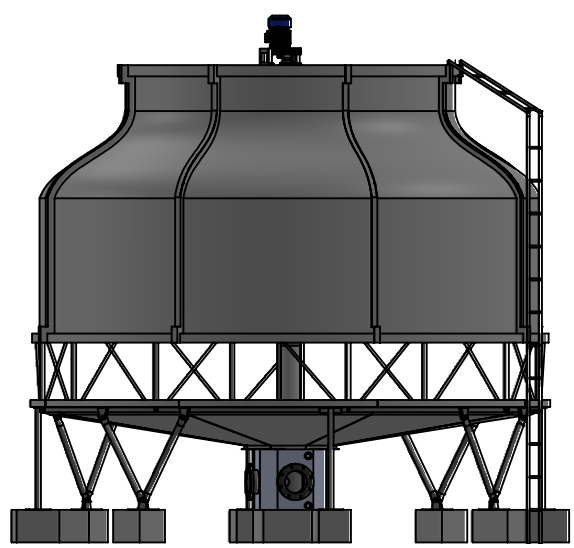
C



Isometric View



Top View




Front View

C

B

A

UNLESS OTHERWISE SPECIFIED: DIMENSIONS ARE IN MILLIMETERS SURFACE FINISH: TOLERANCES: LINEAR: ANGULAR:		FINISH:		DEBURR AND BREAK SHARP EDGES		DO NOT SCALE DRAWING		REVISION	
						TITLE: Top, Front & Isometric View (ART-500)			
						 <p><b>Artisan Craft (Bd) Ltd.</b>                  We come when Temperature matters                  www.artisan-craft.com</p>			
DRAWN		NAME		SIGNATURE					
CHK'D		Mahmuda				27/02/18			
APPVD		Shahed				27/02/18			
MFG									
Q.A								MATERIAL:	
								DWG NO.	
								DR-C-V-011	
								A4	
								WEIGHT:	
								SCALE:1:70	
								SHEET 1 OF 1	

6 5 4 3 2 1