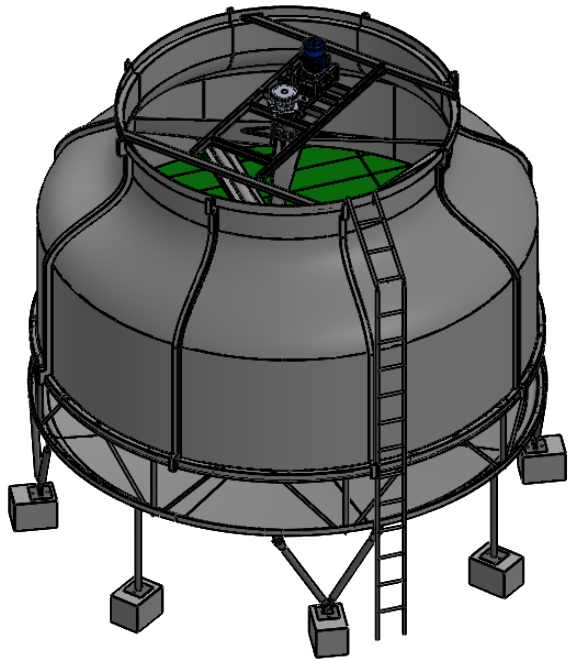


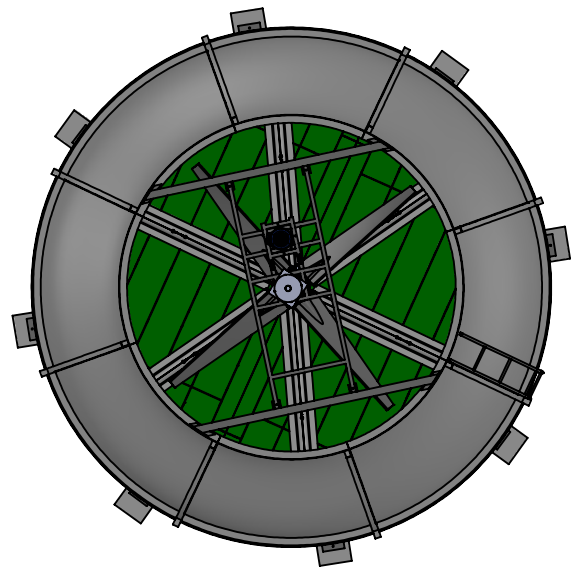
6 5 4 3 2 1

Design Condition:

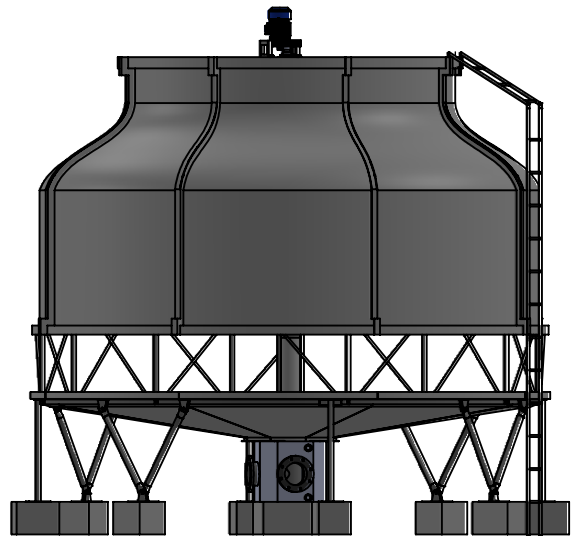
Water Flow Rate 281 m³/h
 Water Inlet Temperature 37 deg °C
 Water Outlet Temperature 32 °C
 Wet Bulb Temperature 29 °C




Isometric View



Top View



Front View

UNLESS OTHERWISE SPECIFIED: DIMENSIONS ARE IN MILLIMETERS SURFACE FINISH: TOLERANCES: LINEAR: ANGULAR:			FINISH:		DEBURR AND BREAK SHARP EDGES		DO NOT SCALE DRAWING		REVISION		
							TITLE: Top, Front & Isometric View (ART-400)				
							 <p>Artisan Craft (Bd) Ltd. We come when Temperature matters www.artisan-craft.com</p>				
DRAWN			NAME		SIGNATURE						
CHK'D			Mahmuda				27/02/18		DR-C-V-011		
APPVD			Shahed				27/02/18		A4		
MFG											
Q.A											
							MATERIAL:				
							WEIGHT:		SCALE:1:70		
									SHEET 1 OF 1		

6 5 4 3 2 1

D
C
B
A

D
C
B
A