

6

5

4

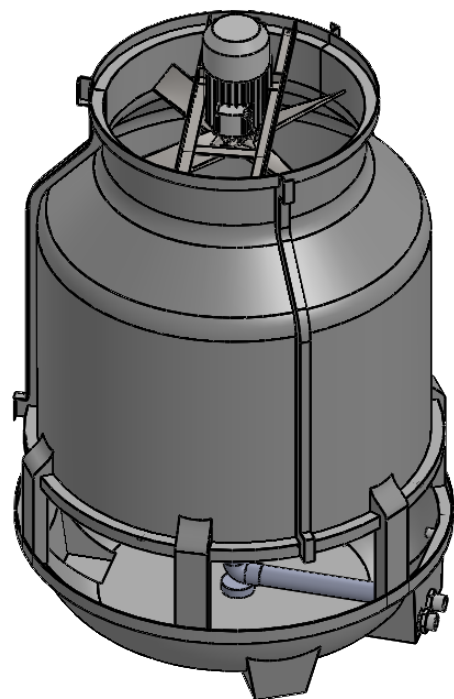
3

2

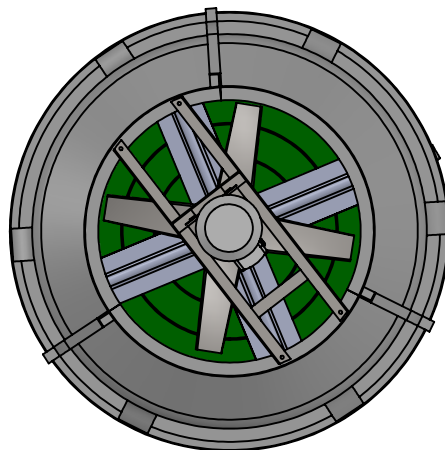
1

Design Condition:

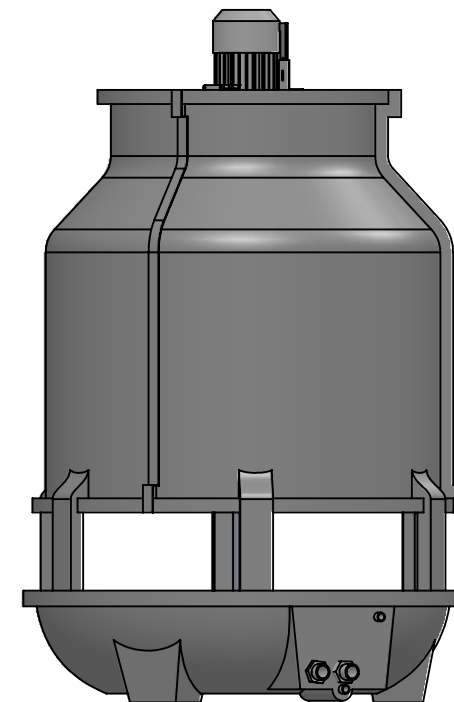
Water Flow Rate 14 m<sup>3</sup>/h  
Water Inlet Temperature 37 °C  
Water Outlet Temperature 32 °C  
Wet Bulb Temperature 29 °C




**Isometric View**



**Top View**



**Front View**

UNLESS OTHERWISE SPECIFIED: DIMENSIONS ARE IN MILLIMETERS SURFACE FINISH: TOLERANCES: LINEAR: ANGULAR:			FINISH:		DEBURR AND BREAK SHARP EDGES		DO NOT SCALE DRAWING		REVISION			
							TITLE: Top, Front & Isometric View (ART-20)					
DRAWN		NAME		SIGNATURE		DATE		 <p><b>Artisan Craft (Bd) Ltd.</b> We come when Temperature matters <a href="http://www.artisan-craft.com">www.artisan-craft.com</a></p>				
CHK'D		Shahed				25/02/18						
APPVD		Shahed				25/02/18						
MFG												
Q.A												
							MATERIAL:		DWG NO.		A4	
							WEIGHT:		SCALE:1:23		SHEET 1 OF 1	
									DR-C-V-002			

6

5

4

3

2

1

D

C

B

A