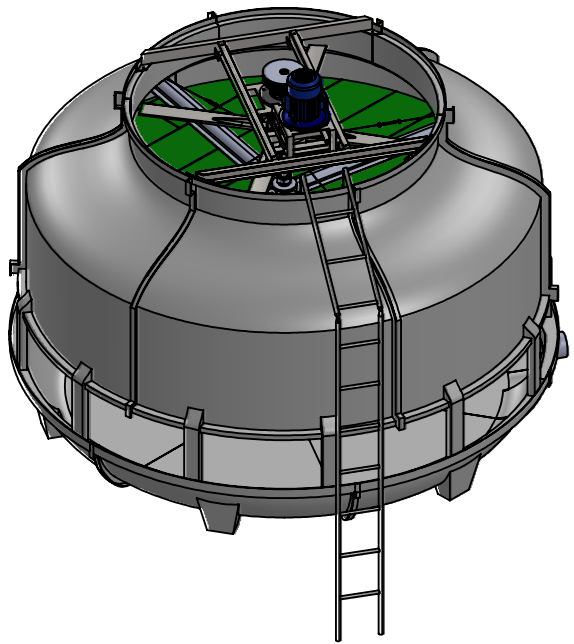
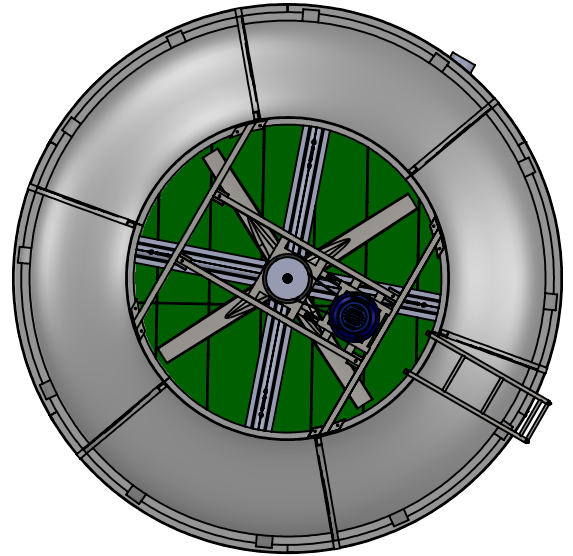


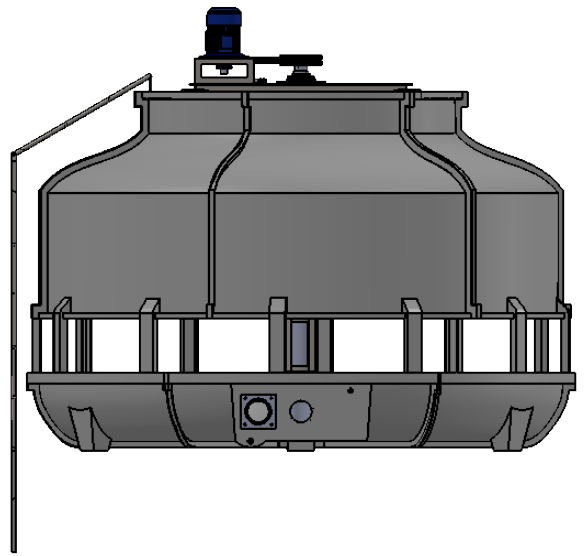
Design Condition:  
 Water Flow Rate 105 m<sup>3</sup>/h  
 Water Inlet Temperature 37 °C  
 Water Outlet Temperature 32 °C  
 Wet Bulb Temperature 29 °C




**Isometric View**



**Top View**



**Front View**

UNLESS OTHERWISE SPECIFIED: DIMENSIONS ARE IN MILLIMETERS SURFACE FINISH: TOLERANCES: LINEAR: ANGULAR:				FINISH:		DEBURR AND BREAK SHARP EDGES		DO NOT SCALE DRAWING		REVISION	
TITLE:								View Drawing (ART-150)			
DRAWN		NAME		SIGNATURE		DATE		 <p><b>Artisan Craft (Bd) Ltd.</b>          We come when Temperature matters          www.artisan-craft.com</p>			
CHK'D		Mahmuda				18/04/18					
APPVD		Shahed				18/04/18					
MFG		Shahed				18/04/18					
Q.A											
MATERIAL:						DWG NO.		DR-C-V-012		A4	
WEIGHT:						SCALE:1:45		SHEET 1 OF 1			