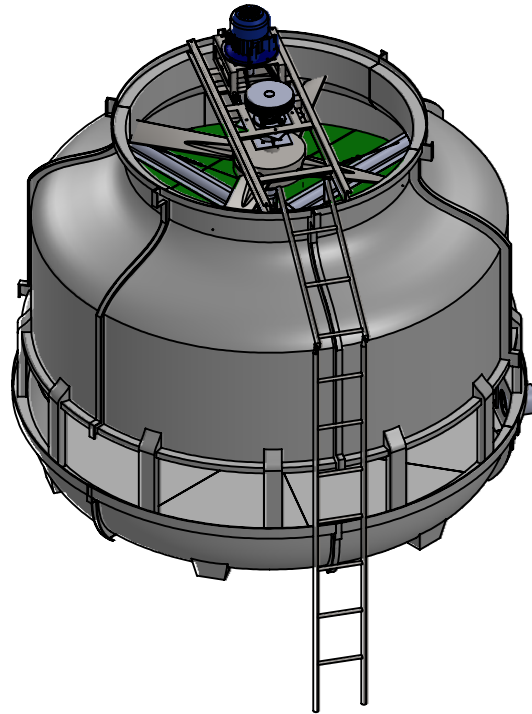
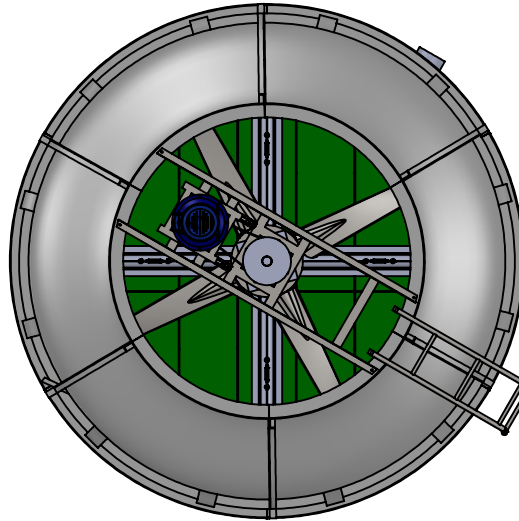


Design Condition:

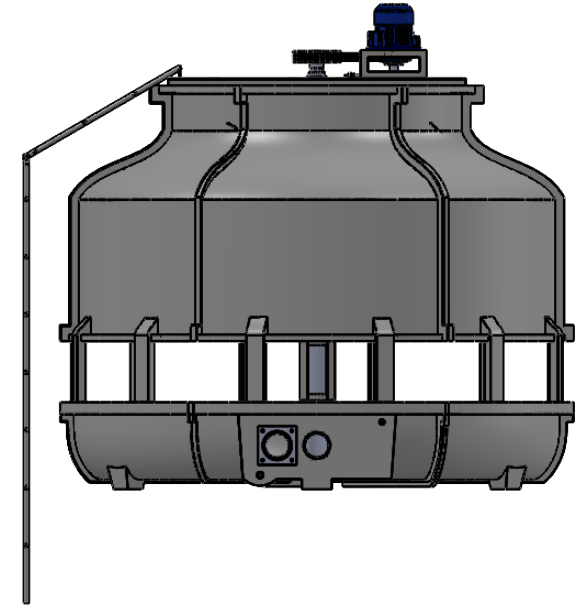
Water Flow Rate 88 m³/h
 Water Inlet Temperature 37 °C
 Water Outlet Temperature 32 °C
 Wet Bulb Temperature 29 °C




Isometric View



Top View



Front View

UNLESS OTHERWISE SPECIFIED: DIMENSIONS ARE IN MILLIMETERS SURFACE FINISH: TOLERANCES: LINEAR: ANGULAR:			FINISH:		DEBURR AND BREAK SHARP EDGES		DO NOT SCALE DRAWING		REVISION		
							TITLE: Top, Front & Isometric View (ART-125)				
							 <p>Artisan Craft (Bd) Ltd. We come when Temperature matters www.artisan-craft.com</p>				
			MATERIAL:		DWG NO.						
			WEIGHT:		SCALE:1:40		SHEET 1 OF 1				