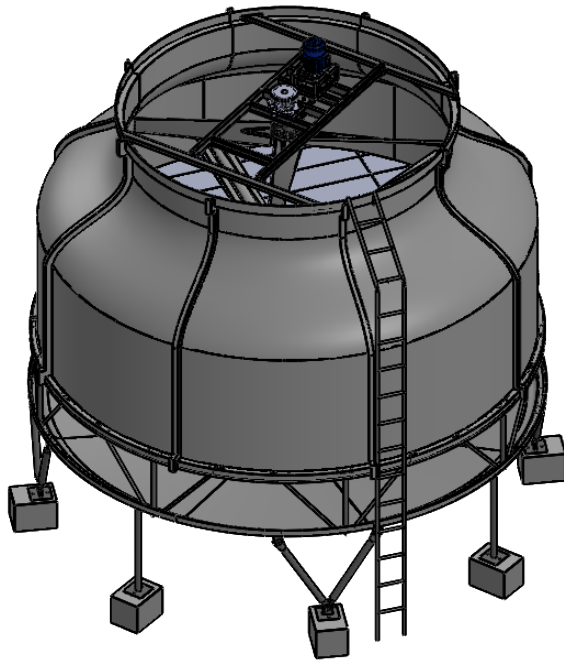
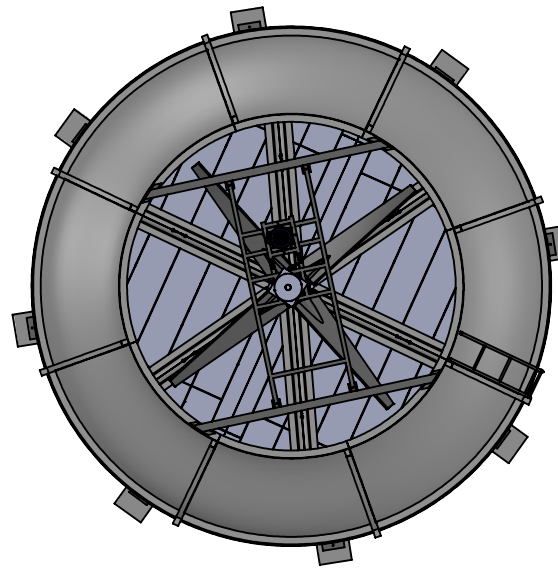


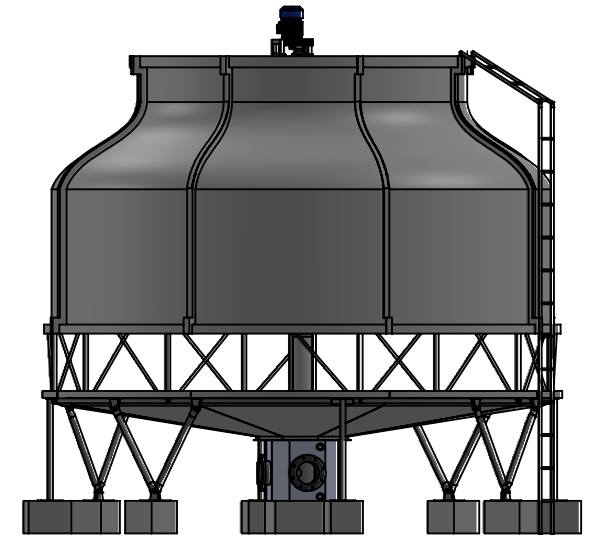
Design Condition:
 Water Flow Rate 281 m³/h
 Water Inlet Temperature 37 deg °C
 Water Outlet Temperature 32 °C
 Wet Bulb Temperature 29 °C




Isometric View



Top View



Front View

UNLESS OTHERWISE SPECIFIED: DIMENSIONS ARE IN MILLIMETERS SURFACE FINISH: TOLERANCES: LINEAR: ANGULAR:		FINISH:		DEBURR AND BREAK SHARP EDGES		DO NOT SCALE DRAWING		REVISION	
						TITLE: Top, Front & Isometric View (ART-350)			
						 We come when Temperature matters www.artisan-craft.com			
DRAWN		NAME		SIGNATURE					
CHK'D		Mahmuda				27/02/18			
APPVD		Shahed				27/02/18			
MFG		Shahed				27/02/18			
Q.A								MATERIAL:	
								DWG NO.	
								DR-C-V-011	
								A4	
								WEIGHT:	
								SCALE:1:70	
								SHEET 1 OF 1	