

D

D

C

C

B

B

A

A

6

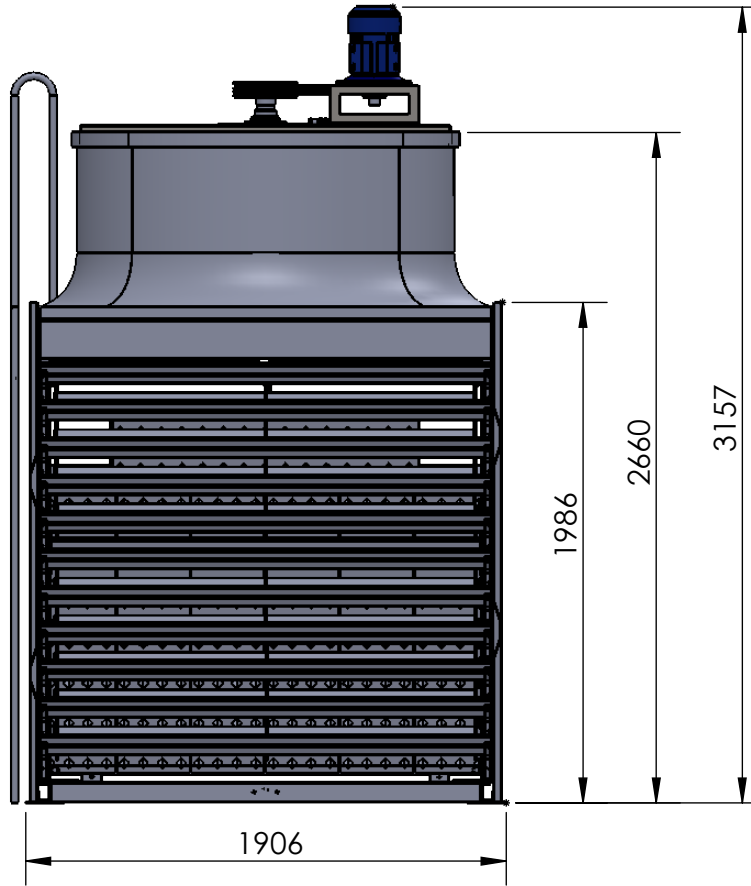
5


4

3

2

1



UNLESS OTHERWISE SPECIFIED: DIMENSIONS ARE IN MILLIMETERS SURFACE FINISH: TOLERANCES: LINEAR: ANGULAR:				FINISH:		DEBURR AND BREAK SHARP EDGES		DO NOT SCALE DRAWING		REVISION	
								TITLE: Side View (ARTX SP-100)			
								 <p>Artisan Craft (Bd) Ltd. We come when Temperature matters www.artisan-craft.com</p>			
DRAWN		NAME		SIGNATURE		DATE					
CHK'D		Shahed				05/04/18		FRP, MS, PVC		A4	
APPVD		Shahed				05/04/18					
MFG											
Q.A								WEIGHT:		SCALE:1:30	
										SHEET 1 OF 1	

6

5

4

3

2

1