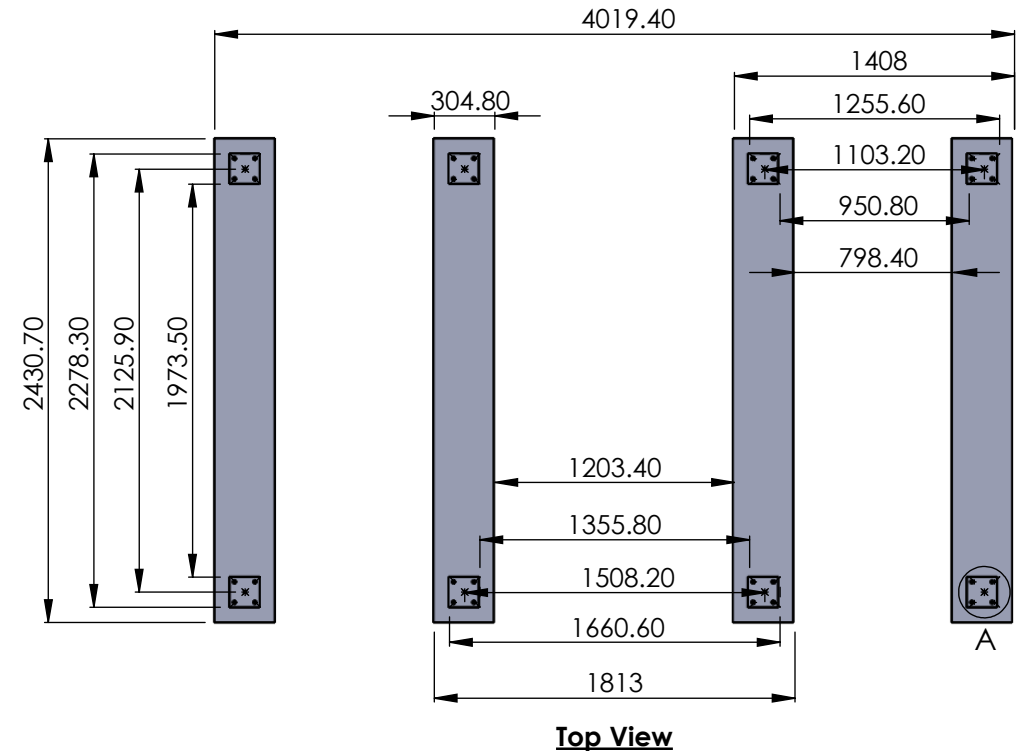
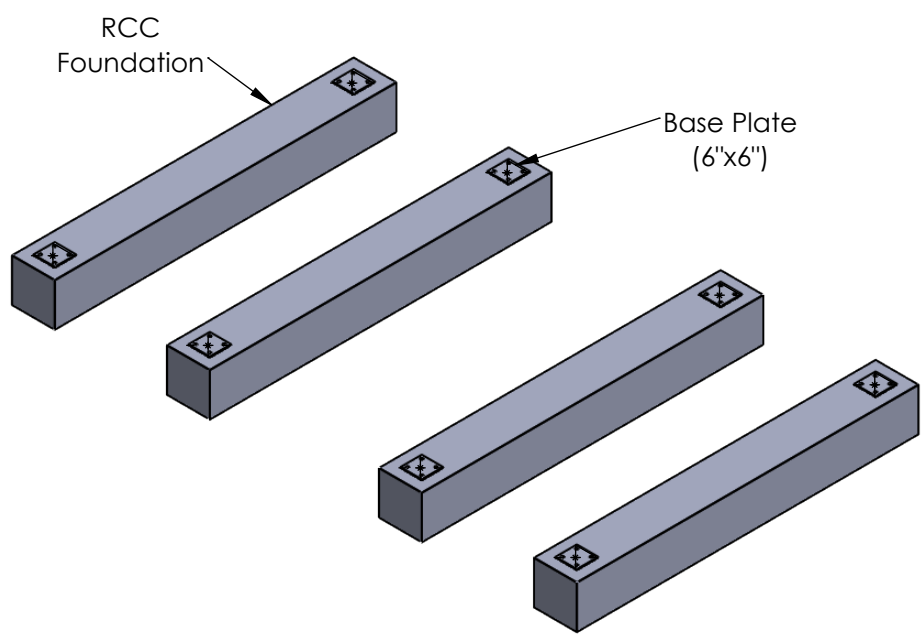
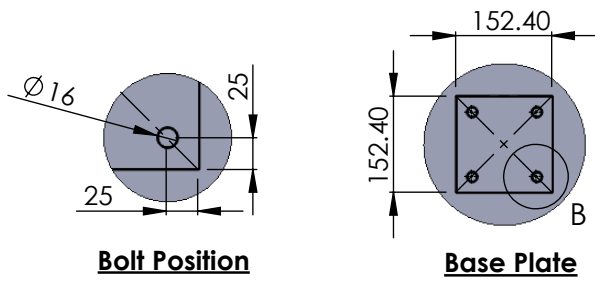


6 5 4 3 2 1

D



D

C

B

A

REMARKS:

- (1) All the measurements provided are in mm
- (2) Recommended foundation height is 12 inch
- (3) Every foundation should maintain equal horizontal line.

UNLESS OTHERWISE SPECIFIED: DIMENSIONS ARE IN MILLIMETERS SURFACE FINISH: TOLERANCES: LINEAR: ANGULAR:			FINISH:			DEBURR AND BREAK SHARP EDGES			DO NOT SCALE DRAWING		REVISION		
DRAWN: Mahmuda			SIGNATURE:			DATE: 04/07/18			TITLE: Foundation Drawing (ARTX-125)				
CHK'D: Shahed			SIGNATURE:			DATE: 04/07/18							
APP'VD: Shahed			SIGNATURE:			DATE: 04/07/18							
MFG:			SIGNATURE:			DATE:							
Q.A:			SIGNATURE:			DATE:			MATERIAL:			DWG NO.	
									WEIGHT:			SCALE: 1:38	
												SHEET 1 OF 1	

6 5 4 3 2 1