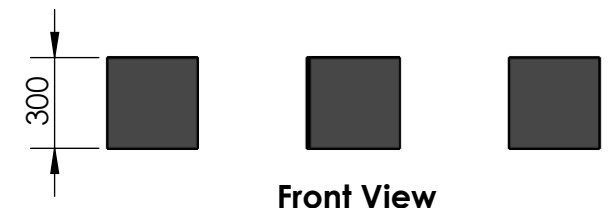
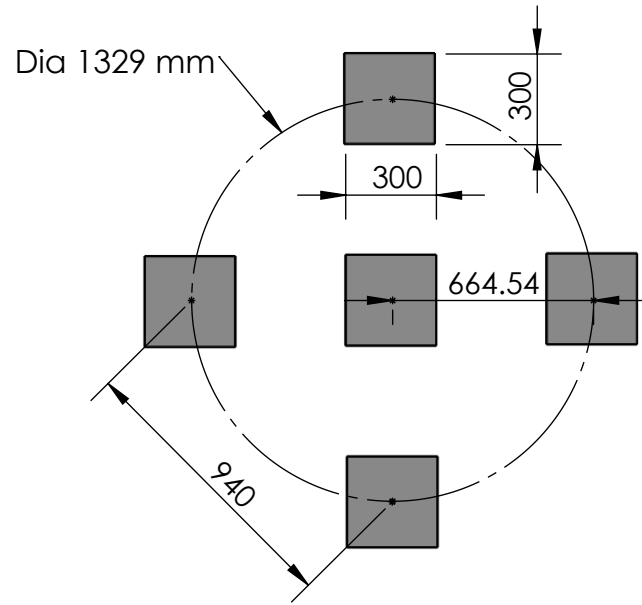
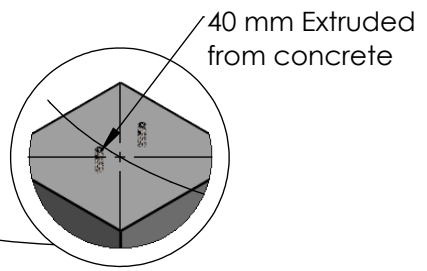
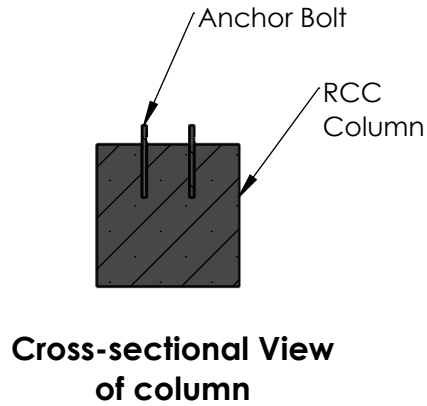
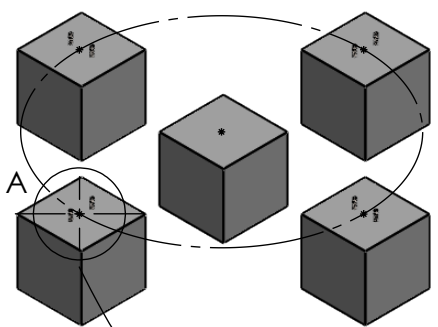


6 5 4 3 2 1

D  
C  
B  
A

D  
C  
B  
A



**REMARK:**

- (1) Anchor bolt: 1/2"-8EA 8 Pcs
- (2) Every foundation Should maintain equal horizontal line.
- (3) Load is distributed over the foundation equally.
- (4) Recommended foundation height is 300 mm.
- (5) User can leave holes (75x75x125) on the concrete foundation with anchor bolt mounting.

UNLESS OTHERWISE SPECIFIED: DIMENSIONS ARE IN MILLIMETERS SURFACE FINISH: TOLERANCES: LINEAR: ANGULAR:				FINISH:		DEBURR AND BREAK SHARP EDGES		DO NOT SCALE DRAWING		REVISION : 01					
TITLE: <b>Foundation Drawing (ART-50)</b>															
DRAWN		NAME		SIGNATURE		DATE						DWG NO.		A4	
CHK'D		Shahed				08/08/18						DR-C-F-004			
APPVD		Shahed				08/08/18						SCALE:1:25		SHEET 1 OF 1	
MFG		N/A													
Q.A		N/A						MATERIAL: <b>RCC</b>							
								WEIGHT:							

6 5 4 3 2 1