

6 5 4 3 2 1

D

C

B

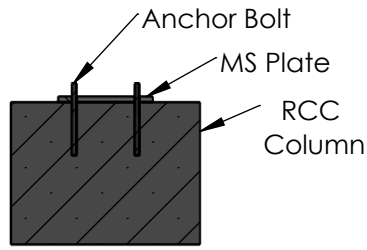
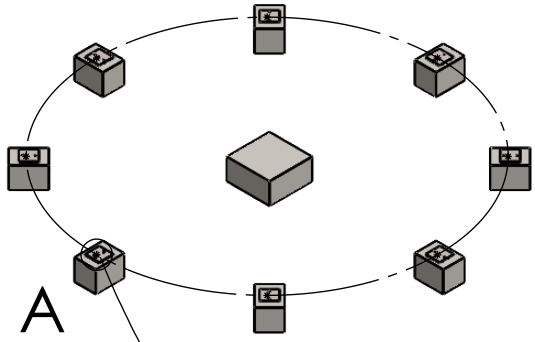
A

D

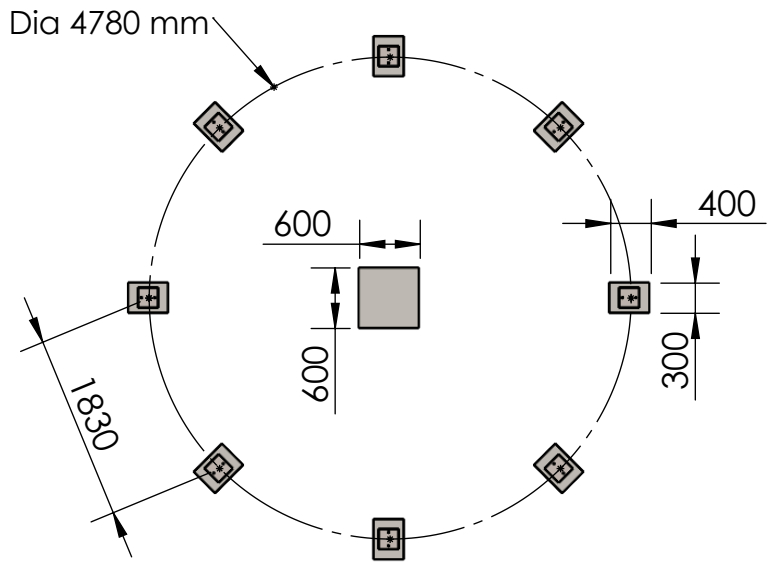
C

B

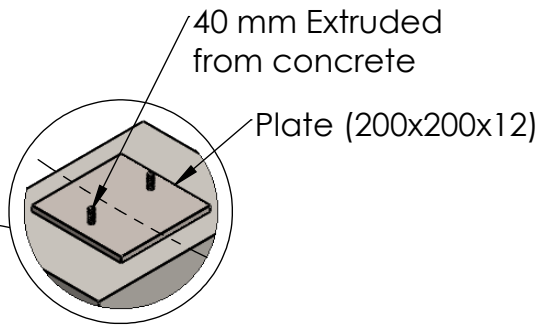
A



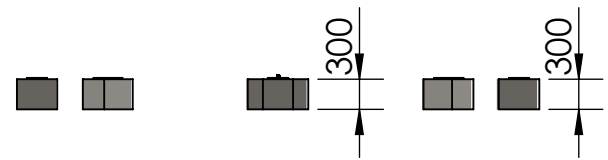
Cross section of column



Top View



Magnified View of Plate



Front View

REMARK:

- (1) Anchor bolt: 1/2"-8EA 16 Pcs
- (2) Every foundation Should maintain equal horizontal line.
- (3) Load is distributed over the foundation equally.
- (4) Recommended foundation height is 600 mm.
- (5) User can leave holes (130x130x250) on the concrete foundation with anchor bolt mounting or prepare a steel plate (200x200x12) pre-installed into the concrete. for each case anchor bolts should extrude about 40mm from concrete.

UNLESS OTHERWISE SPECIFIED: DIMENSIONS ARE IN MILLIMETERS SURFACE FINISH: TOLERANCES: LINEAR: ANGULAR:				FINISH:		DEBURR AND BREAK SHARP EDGES		DO NOT SCALE DRAWING		REVISION			
TITLE: Foundation Drawing (ART-350)													
DRAWN		Mahmuda		SIGNATURE		DATE						31/1/18	
CHK'D		Shahed		SIGNATURE		DATE						31/1/18	
APPV'D		Shahed		SIGNATURE		DATE						31/1/18	
MFG		N/A		SIGNATURE		DATE							
Q.A		N/A		SIGNATURE		DATE				MATERIAL: RCC			
WEIGHT:								SCALE:1:75		SHEET 1 OF 1			
								DWG NO. DR-C-F-011		A4			

6 5 4 3 2 1