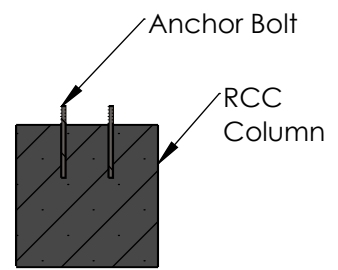
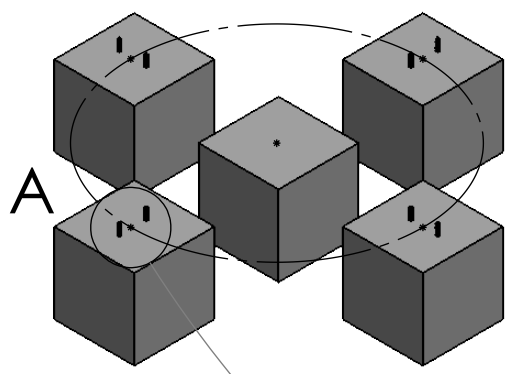


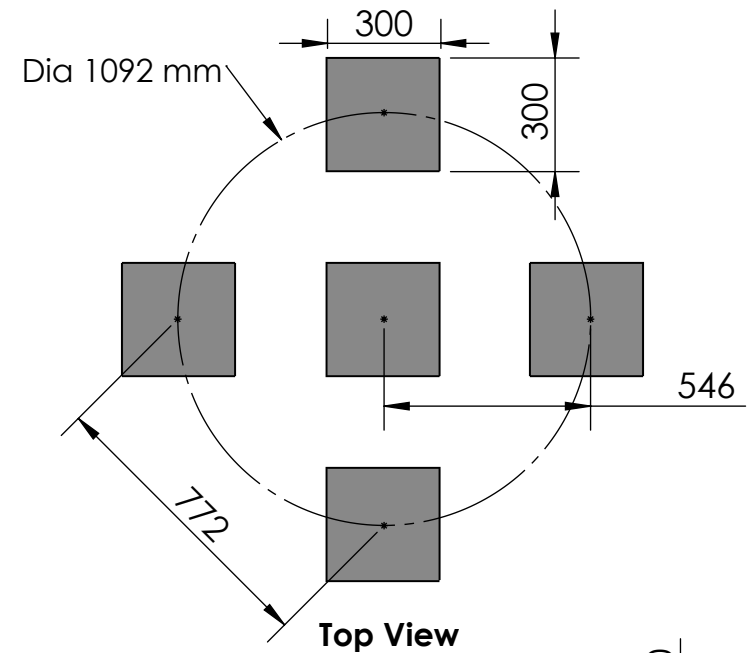
6 5 4 3 2 1

D
C
B
A

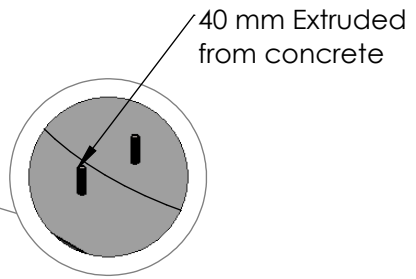
D
C
B
A



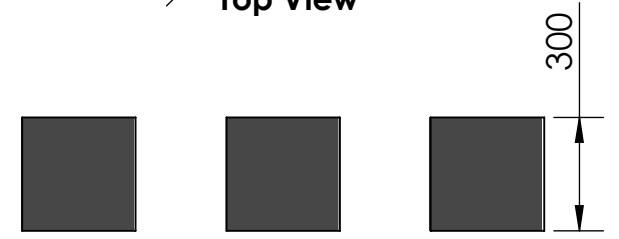
Cross-sectional View of column



Top View




Magnified View



Front View

REMARK:

- (1) Anchor bolt: 1/2"-8EA 8 Pcs
- (2) Every foundation Should maintain equal horizontal line.
- (3) Load is distributed over the foundation equally.
- (4) Recommended foundation height is 300 mm.
- (5) User can leave holes (75x75x125) on the concrete foundation with anchor bolt mounting.

UNLESS OTHERWISE SPECIFIED: DIMENSIONS ARE IN MILLIMETERS SURFACE FINISH: TOLERANCES: LINEAR: ANGULAR:			FINISH:			DEBURR AND BREAK SHARP EDGES			DO NOT SCALE DRAWING		REVISION		
DRAWN			NAME			SIGNATURE			DATE			TITLE: Foundation Drawing (ART-30)	
CHK'D			Mahmuda						17/2/18			 <p>Artisan Craft (Bd) Ltd. We come when Temperature matters www.artisan-craft.com</p>	
APPV'D			Shahed						17/2/18				
MFG			N/A										
Q.A			N/A										
									MATERIAL: RCC			DWG NO. DR-C-F-003	
									WEIGHT:			SCALE:1:20	
												SHEET 1 OF 1	

6 5 4 3 2 1

A

A