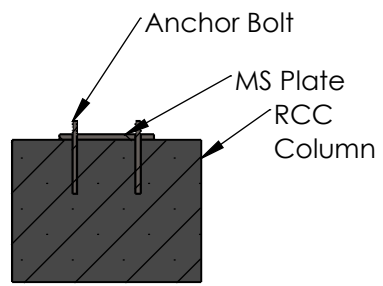
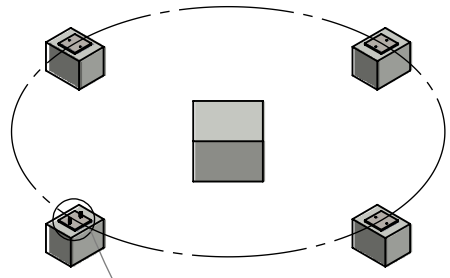


6 5 4 3 2 1

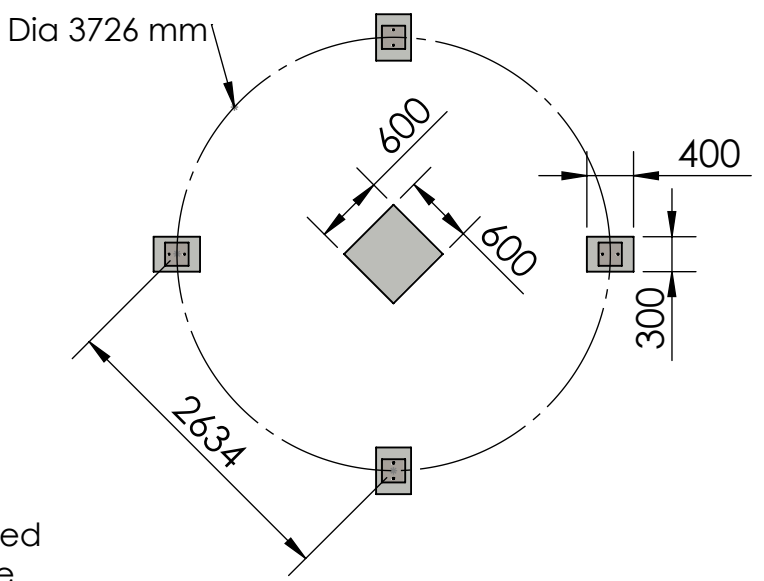
D

D

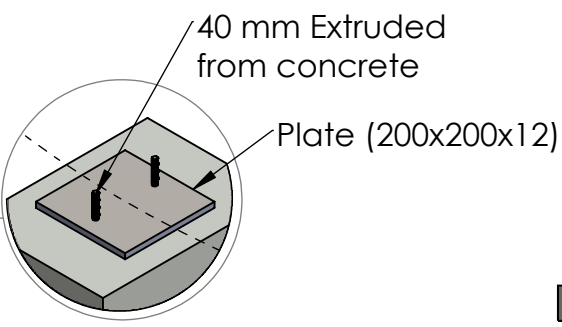
A



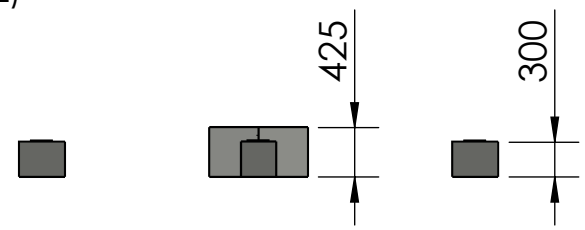
**Cross section of column**



**Top View**



**Magnified View of Plate**



**Front View**

**REMARK:**


- (1) Anchor Bolt: 1/2"-8EA 8 Pcs
- (2) Every foundation should maintain equal horizontal line.
- (3) Load is distributed over the foundation equally.
- (4) Recommended foundation height is 300 mm except from foundation at center (425 mm)
- (5) User can leave holes(130x130x250) on the concrete foundation with anchor bolt mounting or prepare a steel plate (200x200x12) pre-installed into the concrete. In that case, an anchor bolt should extrude about 40mm from concrete.

B

B

A

A

UNLESS OTHERWISE SPECIFIED: DIMENSIONS ARE IN MILLIMETERS SURFACE FINISH: TOLERANCES: LINEAR: ANGULAR:		FINISH:		DEBURR AND BREAK SHARP EDGES		DO NOT SCALE DRAWING		REVISION	
DRAWN: Mahmuda						TITLE: Foundation Drawing (ART-250)			
CHK'D: Shahed						 <p><b>Artisan Craft (Bd) Ltd.</b> We come when Temperature matters www.artisan-craft.com</p>			
APPV'D: Shahed									
MFG:						DWG NO. DR-C-F-009		A4	
Q.A:						SCALE: 1:65		SHEET 1 OF 1	
MATERIAL: RCC									
WEIGHT:									

6 5 4 3 2 1