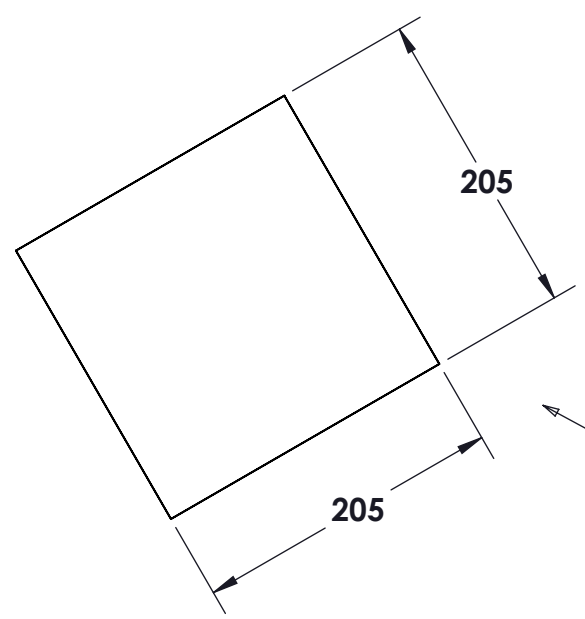


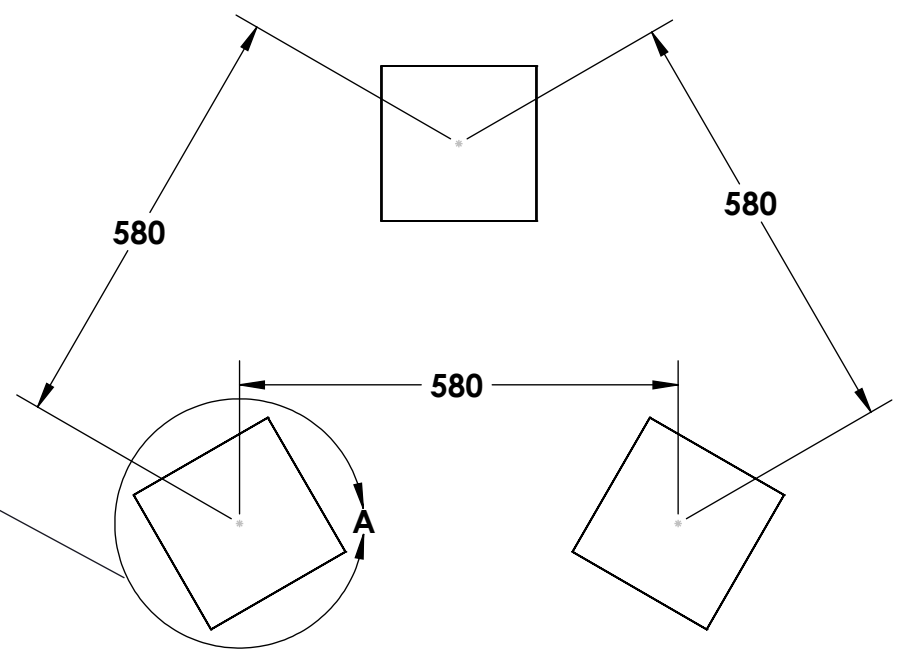
6 5 4 3 2 1

D  
C  
B  
A

D  
C  
B  
A




**DETAIL A**  
SCALE 1 : 5



**TOP VIEW**

- REMARK:**
1. ANCHOR BOLT : 1/2"-8EA 12PCS
  2. EVERY FOUNDATION SHOULD MAINTAIN EQUAL HORIZONTAL LINE.
  3. LOAD IS DISTRIBUTED OVER THE FOUNDATION EQUALLY.
  4. RECOMMENDED FOUNDATION HEIGHT IS 300 MM.
  5. USER CAN LEAVE HOLES(75X75X125) ON THE CONCRETE FOUNDATION WITH ANCHOR BOLT MOUNTING.

UNLESS OTHERWISE SPECIFIED: DIMENSIONS ARE IN MILLIMETERS SURFACE FINISH: ROUGH TOLERANCES: LINEAR: (+/-) 0.5 mm ANGULAR:		FINISH: N/A		DEBURR AND BREAK SHARP EDGES		DO NOT SCALE DRAWING		REVISION	
						TITLE: <b>ART 10 Foundation</b> Drawing Schematic Diagram			
						 We come when Temperature matters <a href="http://www.artisan-craft.com">www.artisan-craft.com</a>			
DRAWN	<b>Naiem</b>	SIGNATURE		DATE	5/12/16				
CHK'D	<b>Shahed</b>				5/12/16				
APPV'D	<b>Shahed</b>				8/12/16				
MFG	N/A								
Q.A	N/A					MATERIAL:			
						WEIGHT:			
						SCALE:1:10		SHEET 1 OF 1	

6 5 4 3 2 1