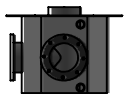
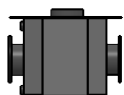


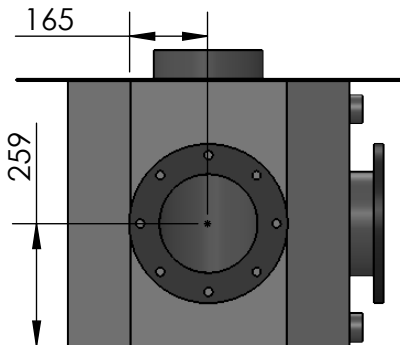
**Options for Pipe Connection:**



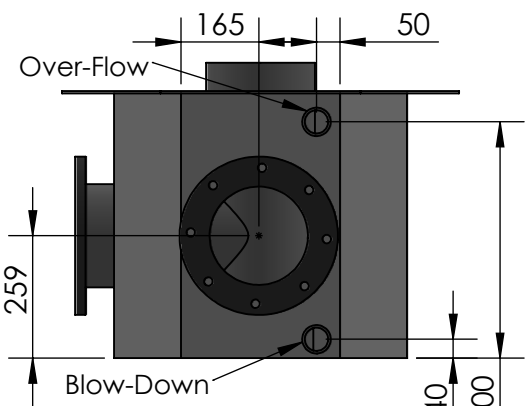
(1) Inlet-Outlet angle 90 deg



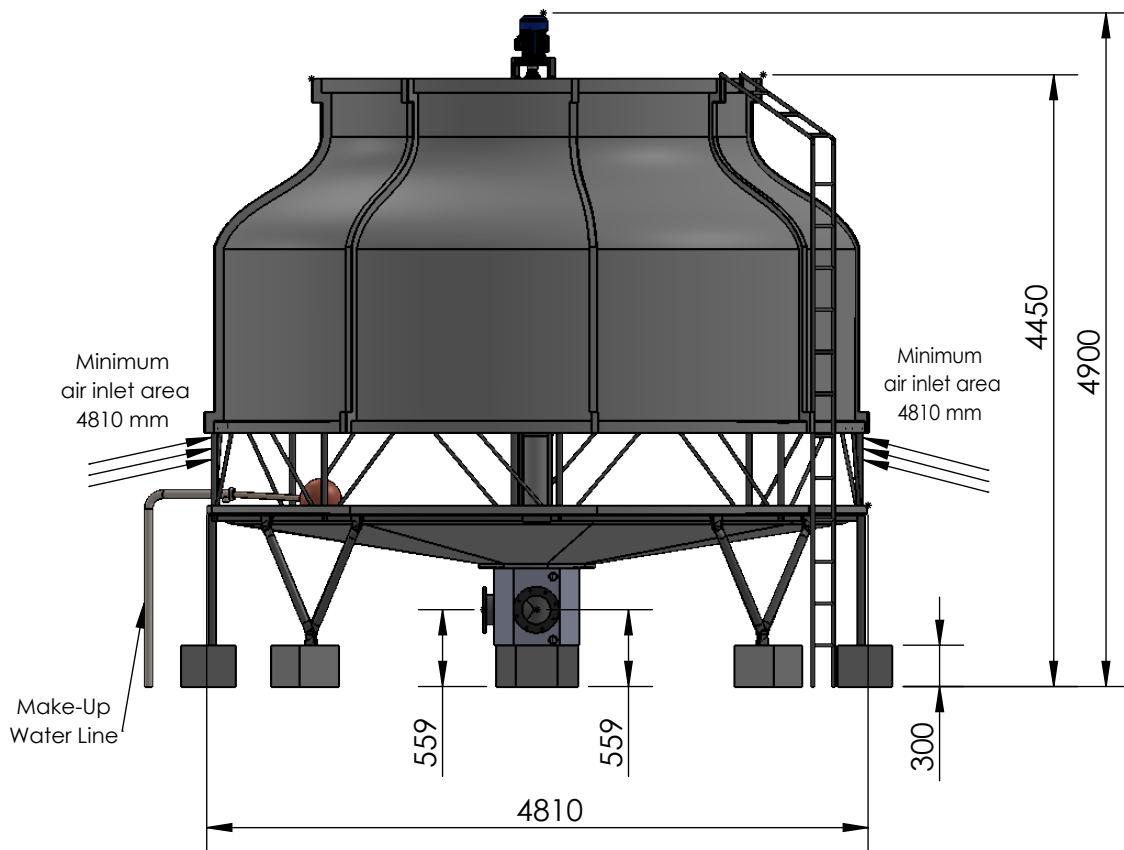
(2) Inlet-outlet angle 180 deg



**Magnified View of inlet connection**



**Magnified View of outlet connection**



**REMARK:**

Piping Dimension:

- Water Inlet (WI) 200 mm
- Water Outlet (WO) 200 mm
- Over Flow (OF) 50 mm
- Make-Up (MU) 50 mm
- Drain (DN) 50 mm

Weight:

- Net Weight 1865 kg
- Operational Weight 3870 kg

Ladder Height 4470 mm considering base 300 mm  
Customer may extend ladder as per their need.

All the measurements are provided in mm

UNLESS OTHERWISE SPECIFIED: DIMENSIONS ARE IN MILLIMETERS SURFACE FINISH: TOLERANCES: LINEAR: ANGULAR:			FINISH:		DEBURR AND BREAK SHARP EDGES		DO NOT SCALE DRAWING		REVISION		
TITLE: <b>Dimension Drawing (ART-400)</b>											
DRAWN: Mahmuda							SIGNATURE				
CHK'D: Shahed							DATE: 10/02/18				
APPVD: Shahed							DATE: 10/02/18				
MFG:											
Q.A:							MATERIAL:				
							DWG NO. <b>DR-C-D-011</b>				
							SCALE: 1:55				
							SHEET 1 OF 1				



A4