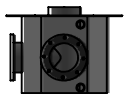
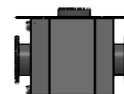


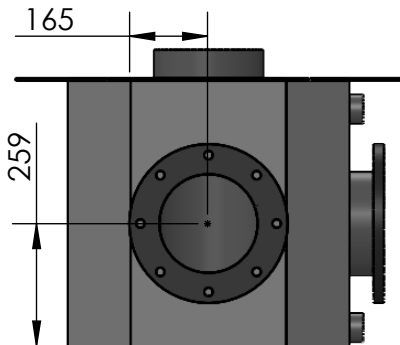
**Options for Pipe Connection:**



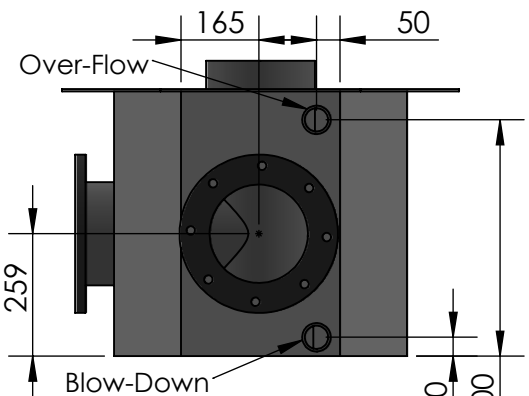
(1) Inlet-Outlet angle 90 deg



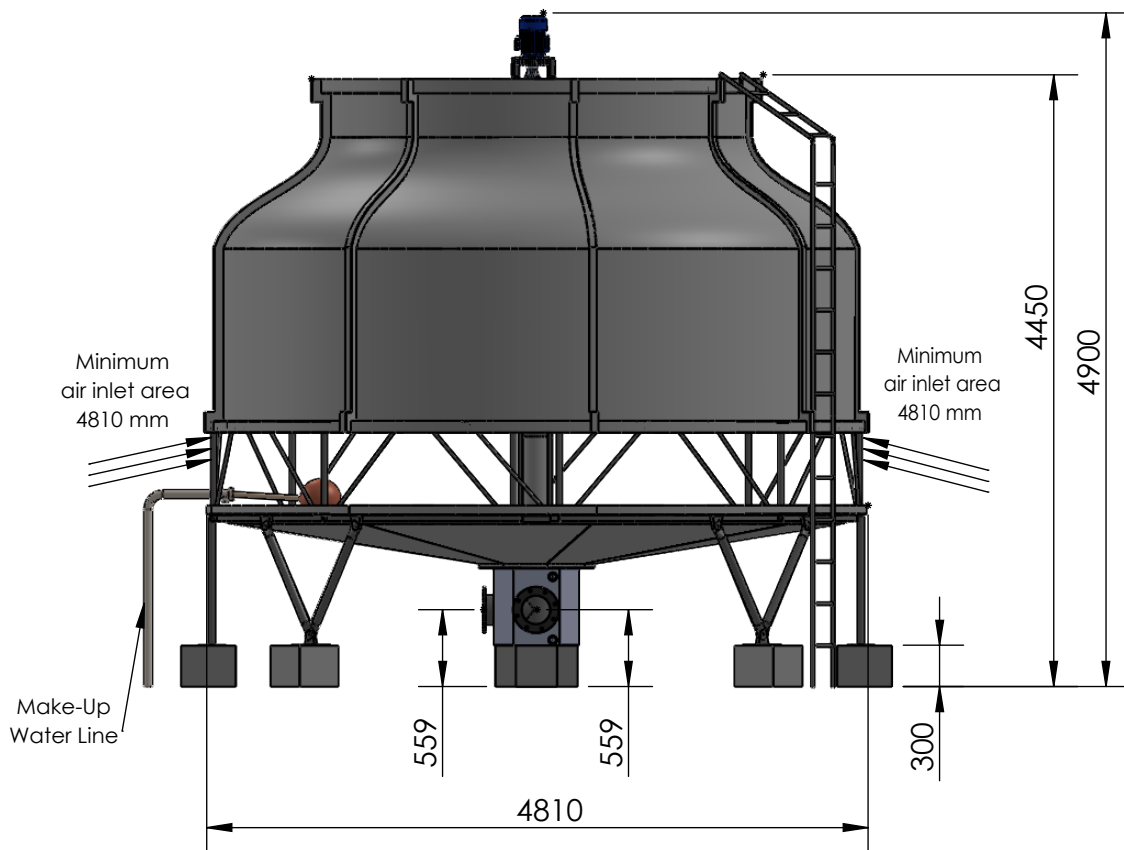
(2) Inlet-outlet angle 180 deg



**Magnified View of inlet connection**



**Magnified View of outlet connection**



**REMARK:**

Piping Dimension:

- Water Inlet (WI) 200 mm
- Water Outlet (WO) 200 mm
- Over Flow (OF) 40 mm
- Make-Up (MU) 40 mm
- Drain (DN) 40 mm

Weight:

- Net Weight 1865 kg
- Operational Weight 3870 kg

Ladder Height 4470 mm considering base 300 mm  
Customer may extend ladder as per their need.

All the measurements are provided in mm

UNLESS OTHERWISE SPECIFIED: DIMENSIONS ARE IN MILLIMETERS SURFACE FINISH: TOLERANCES: LINEAR: ANGULAR:				FINISH:		DEBURR AND BREAK SHARP EDGES		DO NOT SCALE DRAWING		REVISION	
TITLE: <b>Dimension Drawing (ART-350)</b>								Artisan Craft (Bd) Ltd. We come when Temperature matters www.artisan-craft.com			
DRAWN: Mahmuda				SIGNATURE:		DATE: 10/02/18		DWG NO. <b>DR-C-D-011</b>			
CHK'D: Shahed				SIGNATURE:		DATE: 10/02/18		SCALE: 1:55			
APPVD: Shahed				SIGNATURE:		DATE: 10/02/18		SHEET 1 OF 1			
MFG:				SIGNATURE:		DATE:		WEIGHT:			
Q.A:				SIGNATURE:		DATE:		MATERIAL:			
				SIGNATURE:		DATE:					
				SIGNATURE:		DATE:					
				SIGNATURE:		DATE:					



A4