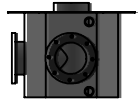
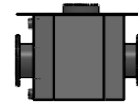


Options for Pipe Connection:



(1) Inlet-Outlet angle 90 deg



(2) Inlet-outlet angle 180 deg

REMARK:

Design Specification:

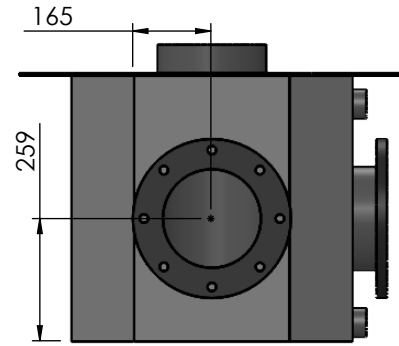
Water Inlet (WI) 200 mm
 Water Outlet (WO) 200 mm
 Over Flow (OF) 40 mm
 Make-Up (MU) 40 mm
 Drain (DN) 40 mm

Weight:

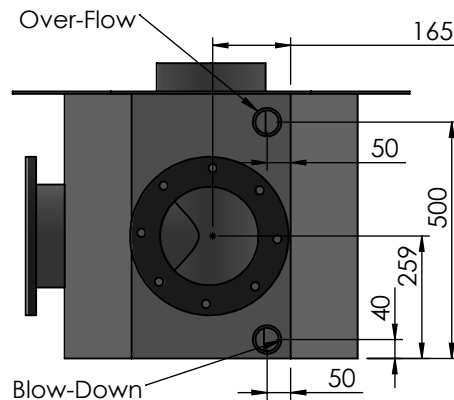
Net Weight 1750 kg
 Operational Weight 3460 kg

Ladder Height 4026 mm considering base 300 mm
 Customer may extend ladder as per their need.

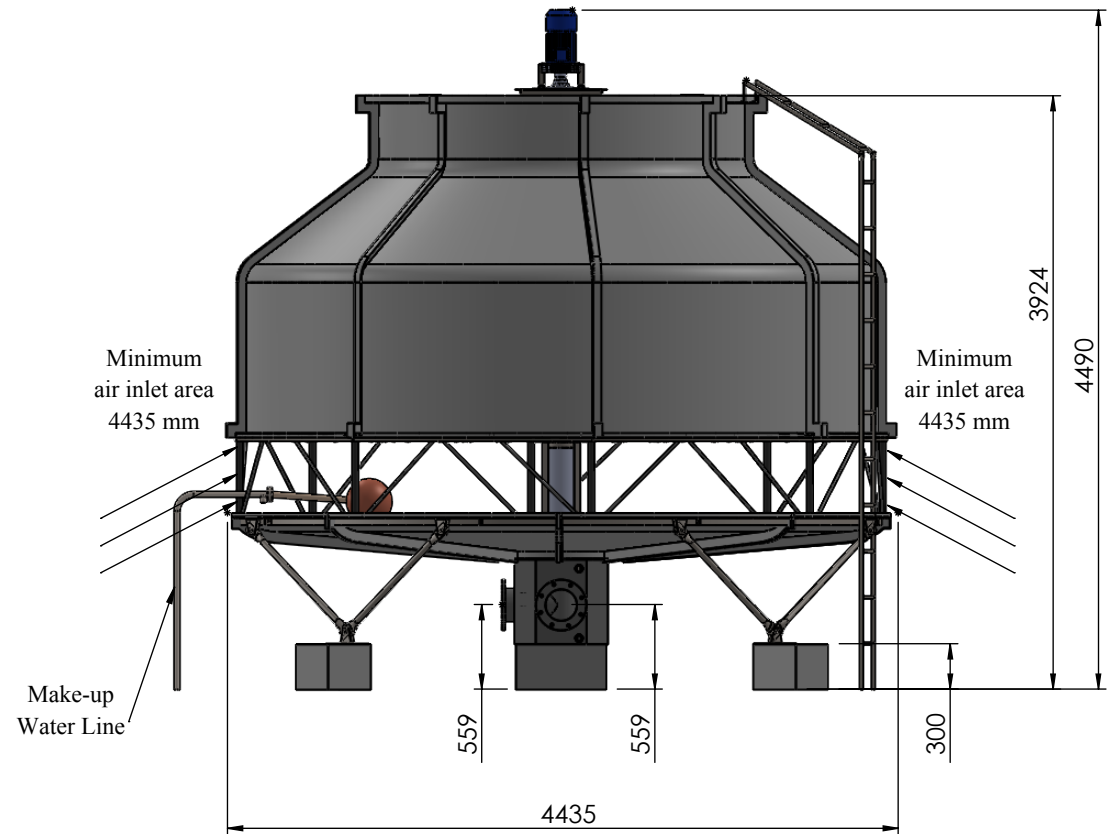
All the measurements are provided in mm




Magnified View of inlet connection



Magnified View of outlet connection



UNLESS OTHERWISE SPECIFIED: DIMENSIONS ARE IN MILLIMETERS				FINISH:		DEBURR AND BREAK SHARP EDGES		DO NOT SCALE DRAWING		REVISION : 01	
SURFACE FINISH:								TITLE: Dimension Drawing (ART-300)			
TOLERANCES:								 <p>Artisan Craft (Bd) Ltd. We come when Temperature matters www.artisan-craft.com</p>			
LINEAR:											
ANGULAR:								DWG NO. DR-C-D-010		A4	
								SCALE:1:50		SHEET 1 OF 1	

	NAME	SIGNATURE	DATE		
DRAWN	Mahmuda		14/02/18		
CHK'D	Shahed		14/02/18		
APPV'D	Shahed		14/02/18		
MFG					
Q.A				MATERIAL:	
				WEIGHT:	