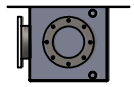
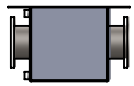


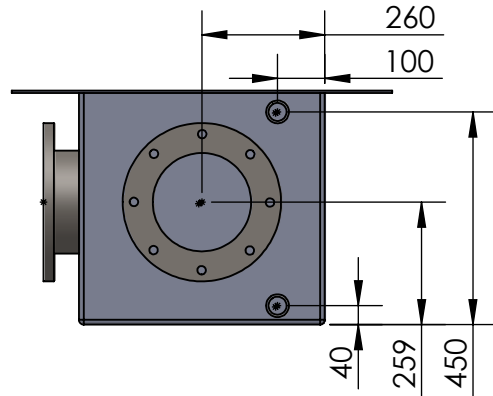
Options for Pipe Connection:



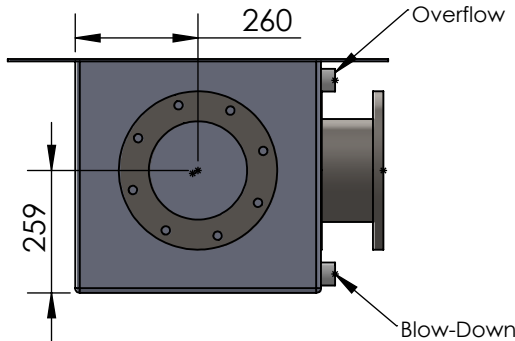
(1) Inlet-Outlet angle 90 deg



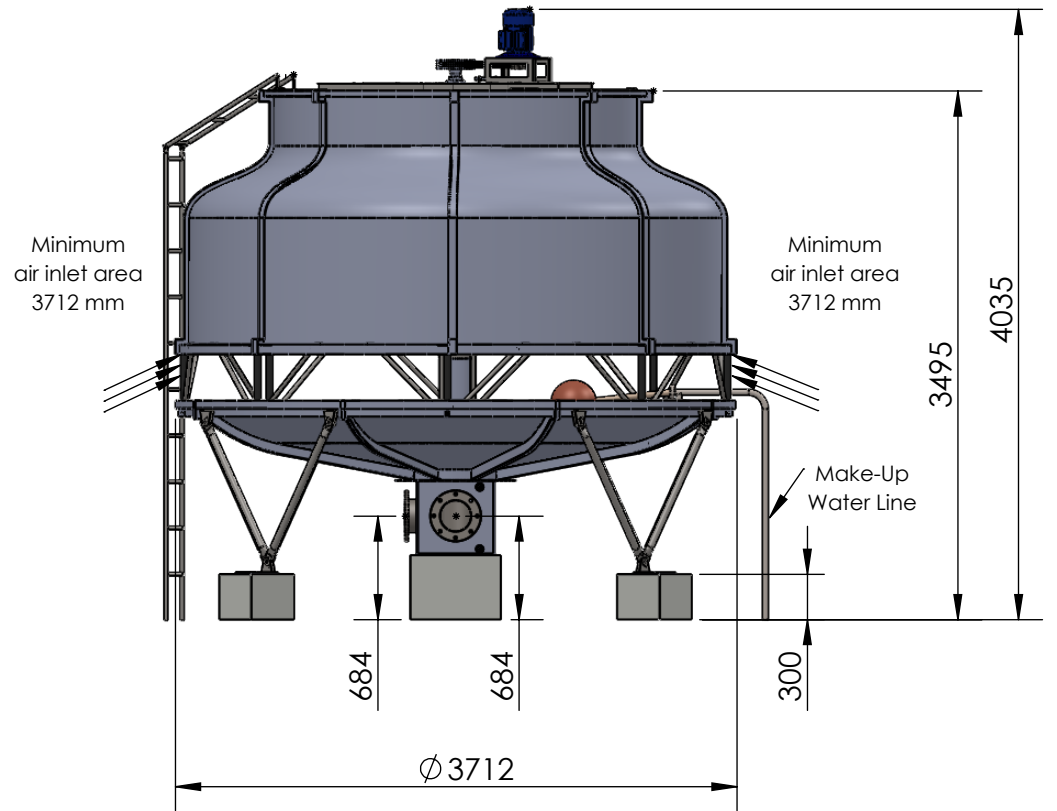
(2) Inlet-Outlet angle 180 deg



Magnified View of inlet connection



Magnified View of outlet connection



REMARK:

Piping Dimension:

- Water Inlet (WI) 200 mm
- Water Outlet (WO) 200 mm
- Over Flow (OF) 40 mm
- Make-Up (MU) 40 mm
- Drain (DN) 40 mm

Weight:

- Net Weight 1475 kg
- Operational Weight 3180 kg

Ladder Height 3610 mm considering base 300 mm
Customer may extend ladder as per their need.

All the dimensions are provided in mm

UNLESS OTHERWISE SPECIFIED: DIMENSIONS ARE IN MILLIMETERS SURFACE FINISH: TOLERANCES: LINEAR: ANGULAR:				FINISH:		DEBURR AND BREAK SHARP EDGES		DO NOT SCALE DRAWING		REVISION	
TITLE:								Dimension Drawing (ART-250)			
DRAWN: Mahmuda								SIGNATURE: _____			
CHK'D: Shahed								DATE: 27/02/18			
APP'VD: Shahed								DATE: 27/02/18			
MFG:											
Q.A:								MATERIAL:			
								DWG NO. DR-C-D-009			
								WEIGHT:			
								SCALE: 1:50			
								SHEET 1 OF 1			



A4