

REMARK:

Design specification

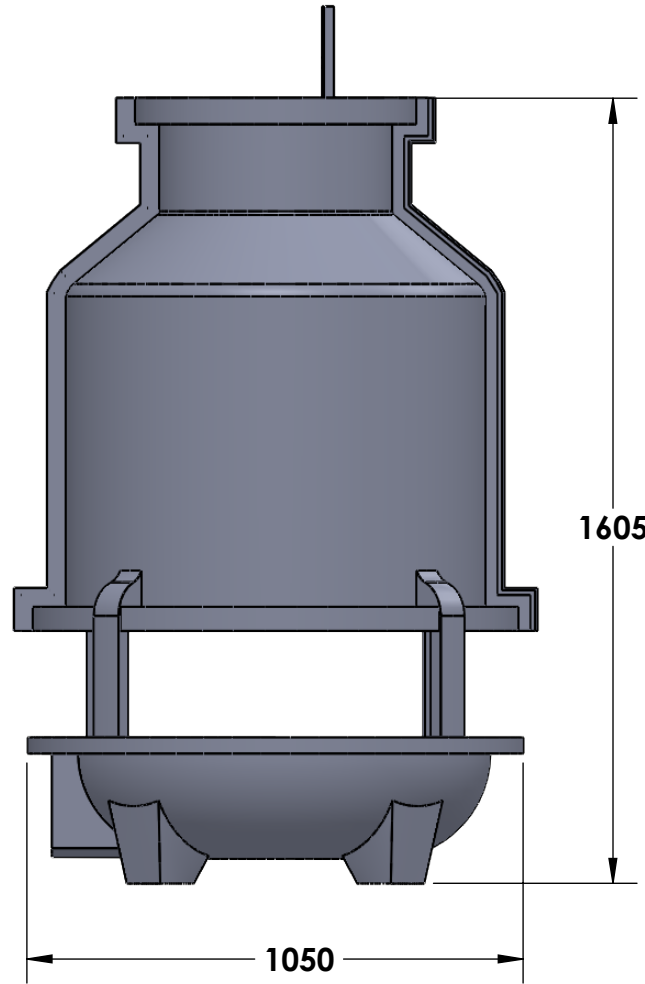
- Water Inlet (WI) 38mm
- Water Outlet (WO) 38mm
- Over Flow (OF) 18mm
- Make-Up (FV) 18mm
- Drain (DN) 25mm


Design condition

- Water Flow Rate 7 m3/h
- Water Inlet Temp 37 deg C
- Water outlet Temp 32 deg C
- Wet Bulb Temp 29 deg C

Weight

- Net weight 55 kg
- Operational weight 137 kg



UNLESS OTHERWISE SPECIFIED: DIMENSIONS ARE IN MILLIMETERS			FINISH:		DEBURR AND BREAK SHARP EDGES		DO NOT SCALE DRAWING		REVISION						
SURFACE FINISH:							TITLE: 10RT Dimensional drawing								
TOLERANCES:							 <p>We come when Temperature matters www.artisan-craft.com</p>								
LINEAR:															
ANGULAR:															
DRAWN	NAME	SIGNATURE	DATE												
CHK'D	NAME	SIGNATURE	DATE												
APPV'D	NAME	SIGNATURE	DATE												
MFG															
Q.A						MATERIAL:				A4					
						WEIGHT:		SCALE:1:1		SHEET 1 OF 1					