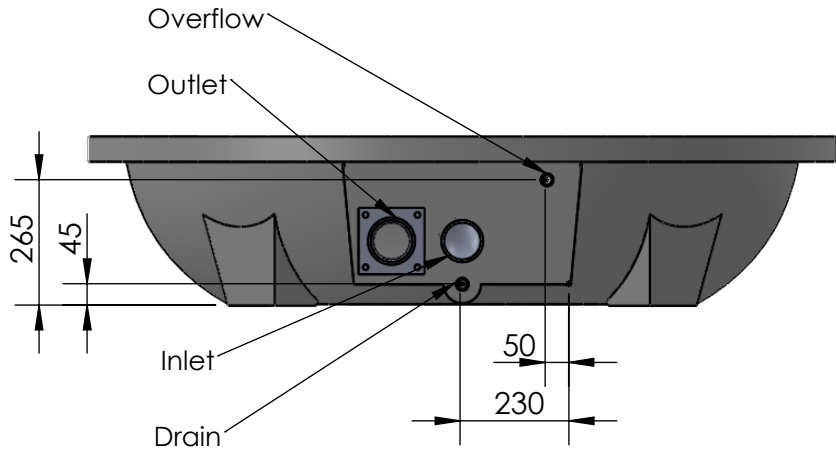


6 5 4 3 2 1

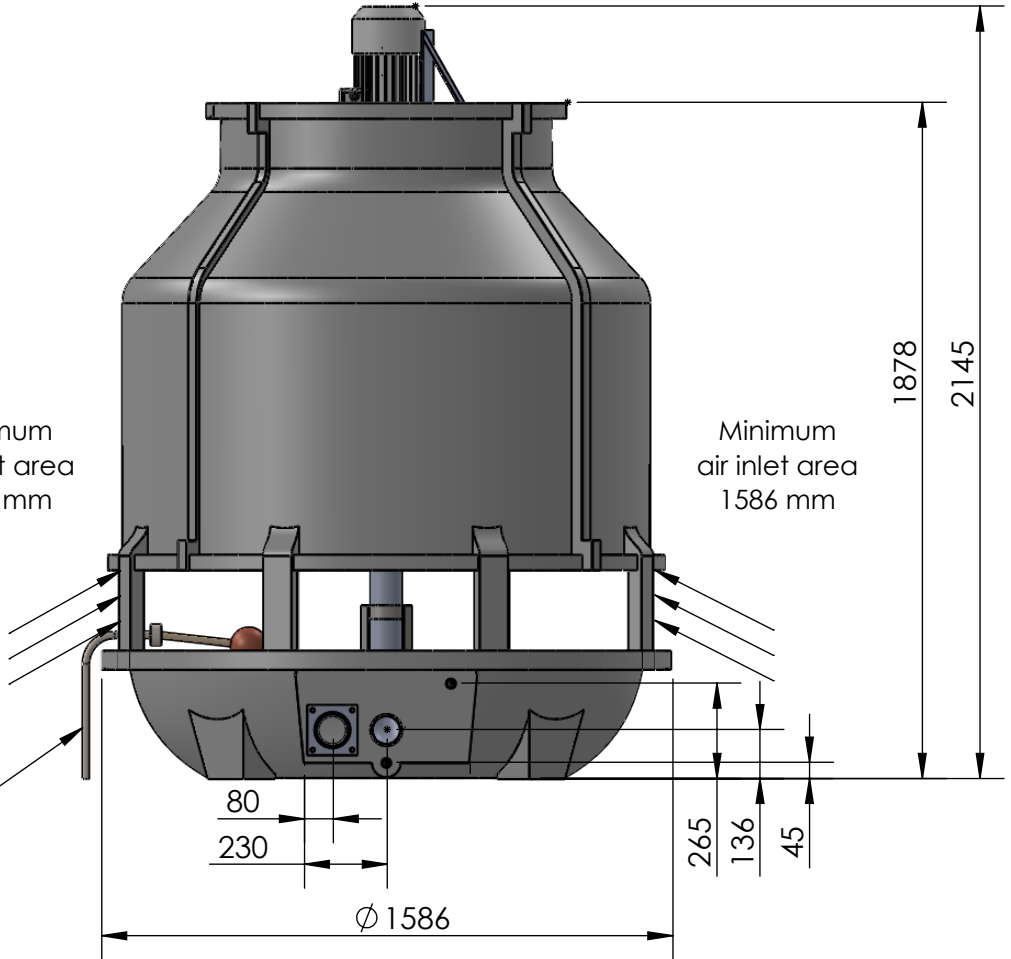
Basin Pipe Connection:



Minimum air inlet area 1586 mm

Minimum air inlet area 1586 mm

Make-Up Water Line



REMARK:


Piping Dimension:

- Water Inlet (WI) 76 mm
- Water Outlet (WO) 76 mm
- Over Folw (OF) 19 mm
- Make-up (MU) 19 mm
- Drain (DN) 19 mm

Weight:

- Net Weight 200 Kg
- Operational Weight 500 Kg

All the measurements are provided in mm

UNLESS OTHERWISE SPECIFIED: DIMENSIONS ARE IN MILLIMETERS SURFACE FINISH: TOLERANCES: LINEAR: ANGULAR:			FINISH:		DEBURR AND BREAK SHARP EDGES		DO NOT SCALE DRAWING		REVISION		
							TITLE: Dimention Drawing (ART-30)				
							 <p>Artisan Craft (Bd) Ltd. We come when Temperature matters www.artisan-craft.com</p>				
DRAWN			NAME		SIGNATURE						
CHK'D			Mahmuda				25/02/18		A4		
APPV'D			Shahed				25/02/18				
MFG											
Q.A											
							MATERIAL:				
							WEIGHT:		SCALE:1:21		
									SHEET 1 OF 1		

6 5 4 3 2 1

D

D

C

C

B

B

A

A