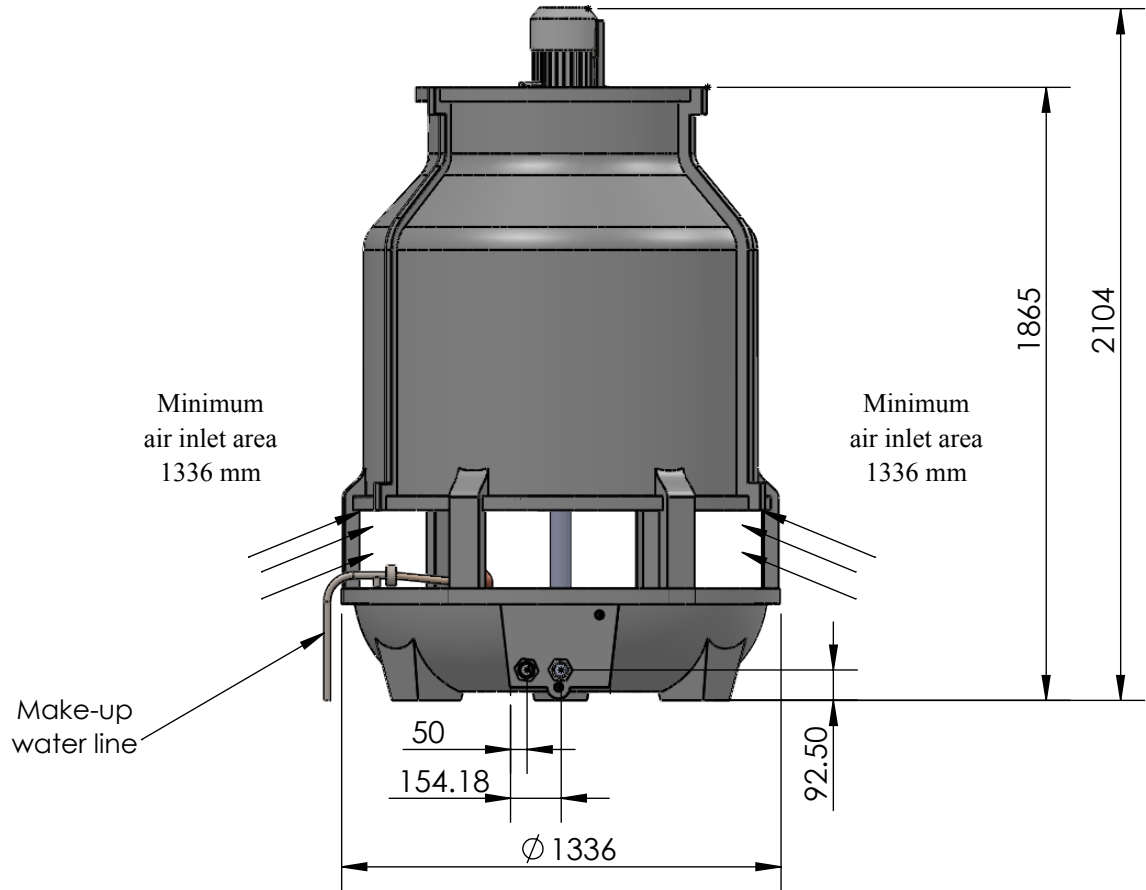
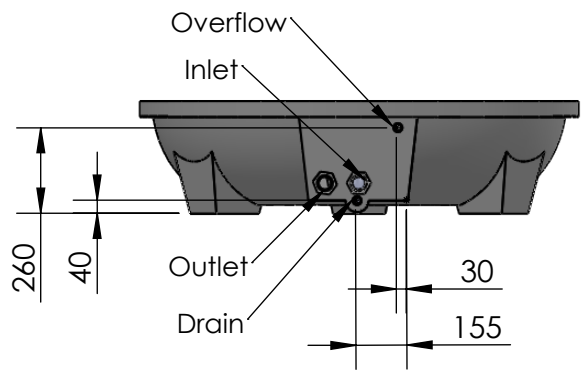


6 5 4 3 2 1

Basin Pipe Connections:



REMARKS:

Piping Specification:
 Water Inlet (WI) 38 mm
 Water Outlet (WO) 38 mm
 Over Flow (OF) 19 mm
 Make-UP (MU) 19 mm
 Drain (DN) 19 mm

Weight:
 Net Weight 55 Kg
 Operating Weight 127 Kg

All the measurements are provided in mm

UNLESS OTHERWISE SPECIFIED: DIMENSIONS ARE IN MILLIMETERS SURFACE FINISH: TOLERANCES: LINEAR: ANGULAR:			FINISH:		DEBURR AND BREAK SHARP EDGES		DO NOT SCALE DRAWING		REVISION			
							TITLE: Dimension Drawing (ART-20)					
							 We come when Temperature matters www.artisan-craft.com					
												DWG NO. DR-C-D-002
							MATERIAL:		SCALE:1:23		SHEET 1 OF 1	
							WEIGHT:					

	NAME	SIGNATURE	DATE		
DRAWN	Mahmuda		24/02/18		
CHK'D	Shahed		24/02/18		
APPVD	Shahed		24/02/18		
MFG					
Q.A					

6 5 4 3 2 1

D
C
B
A

D
C
B
A