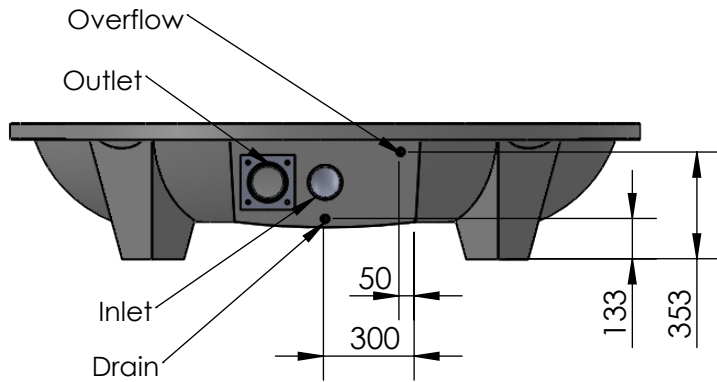
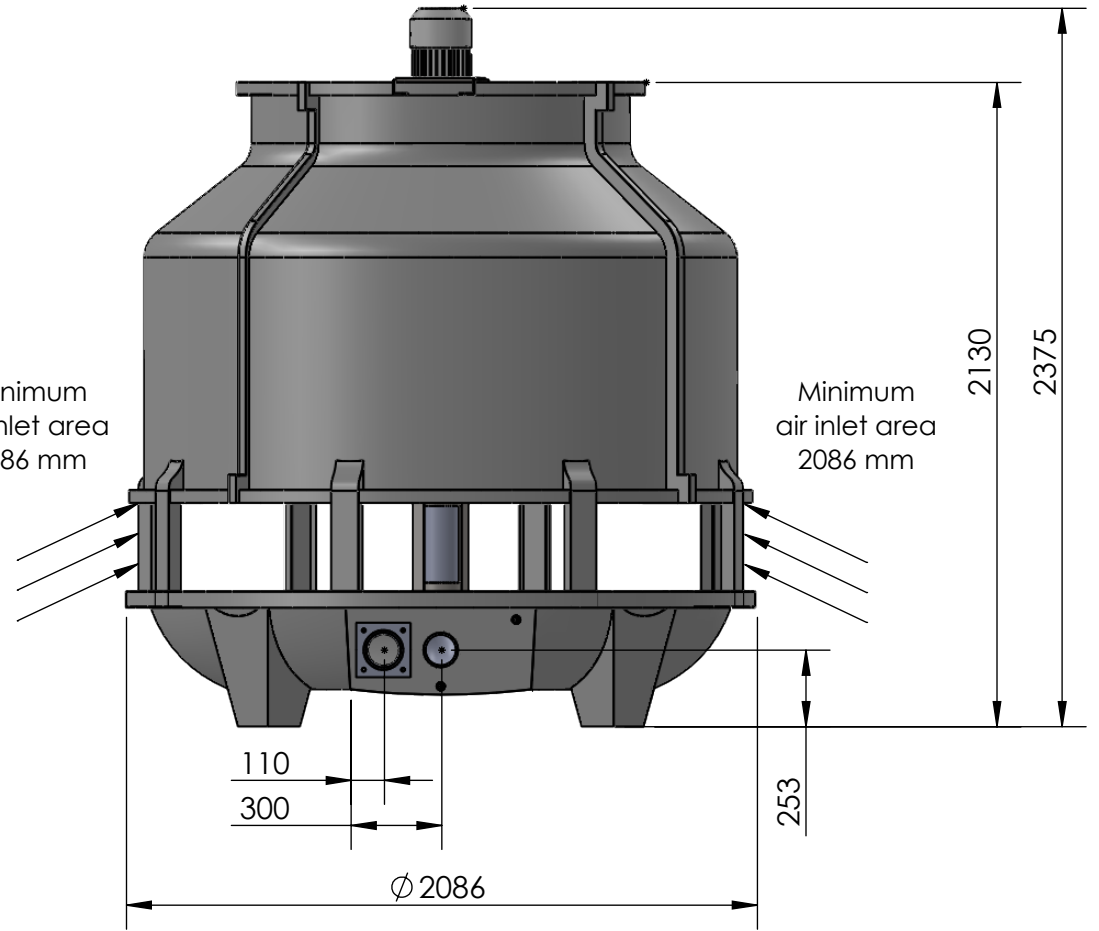


Basin Pipe Connections:



Minimum air inlet area 2086 mm

Minimum air inlet area 2086 mm



REMARKS:

Piping Dimension:

- Water Inlet (WI) 100 mm
- Water Outlet (WO) 100 mm
- Over Flow (OF) 19 mm
- Make-Up (MU) 19 mm
- Drain (DN) 19 mm

Weight:

- Net Weight 430 Kg
- Operational Weight 790 Kg

All The measurements are provided in mm

UNLESS OTHERWISE SPECIFIED: DIMENSIONS ARE IN MILLIMETERS SURFACE FINISH: TOLERANCES: LINEAR: ANGULAR:			FINISH:			DEBURR AND BREAK SHARP EDGES		DO NOT SCALE DRAWING		REVISION : 01	
TITLE:								Dimension Drawing (ART-80)			
DRAWN			NAME			SIGNATURE			DATE		
CHK'D			Mahmuda						25/02/18		
APPVD			Shahed						25/02/18		
MFG											
Q.A									MATERIAL:		
									DWG NO.		
									DR-C-D-005		
									SCALE:1:25		SHEET 1 OF 1
											A4

