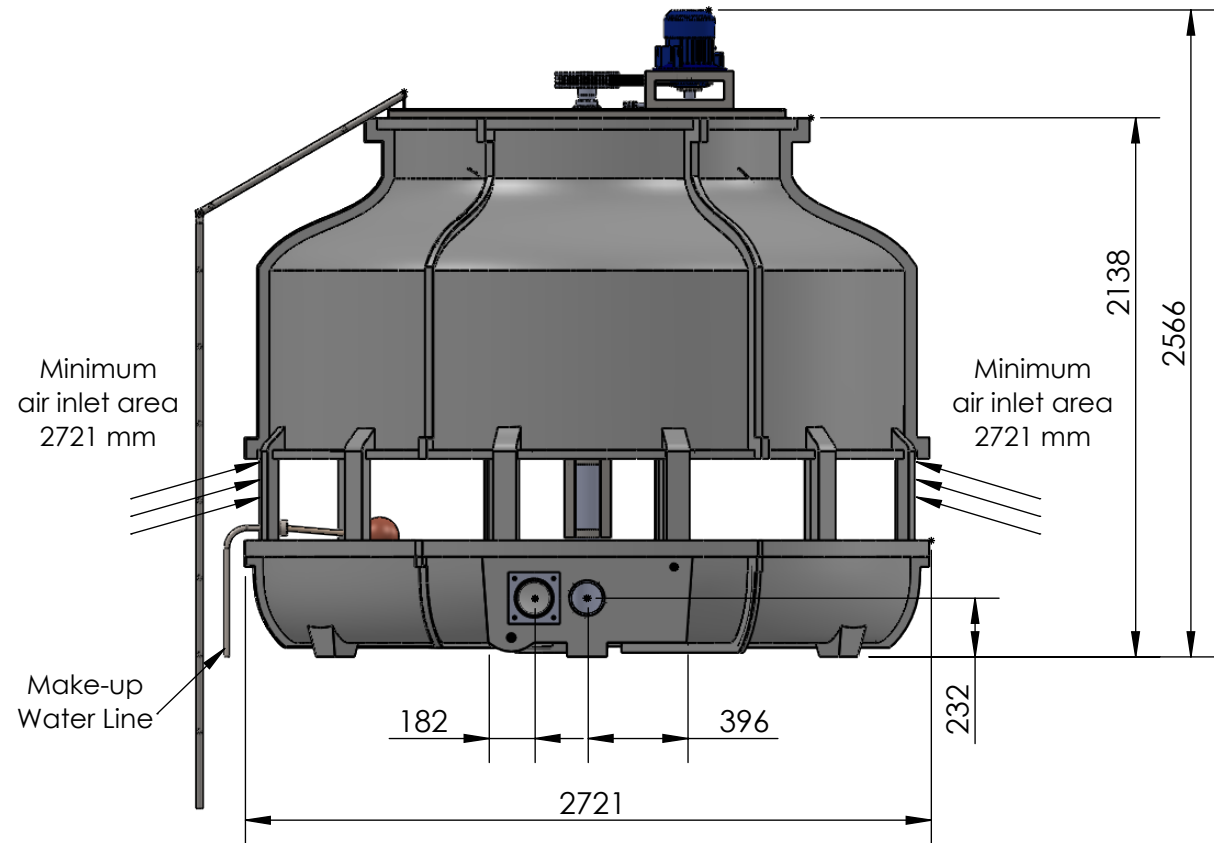
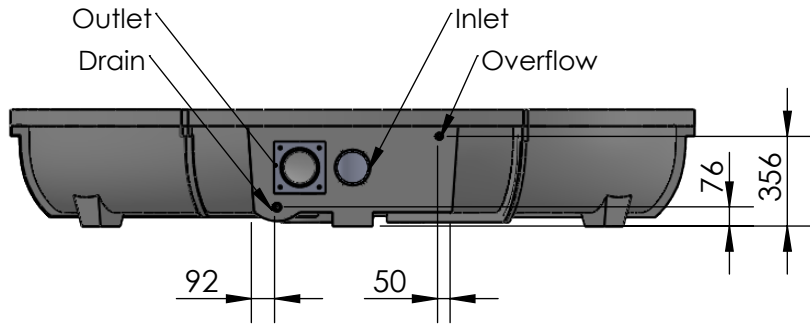


Basin Pipe Connections:



REMARKS:

Piping Dimension:


- Water Inlet (WI) 125 mm
- Water Outlet (WO) 125 mm
- Over Flow (OF) 19 mm
- Make-Up (MU) 19 mm
- Drain (DN) 25 mm

Weight:

- Net Weight 620 Kg
- Operational Weight 1480 Kg

Ladder Height 2841 mm considering base 600 mm
Customer may extend ladder as per their need.

All The measurements are provided in mm

UNLESS OTHERWISE SPECIFIED: DIMENSIONS ARE IN MILLIMETERS SURFACE FINISH: TOLERANCES: LINEAR: ANGULAR:			FINISH:		DEBURR AND BREAK SHARP EDGES		DO NOT SCALE DRAWING		REVISION			
							TITLE: Dimension Drawing (ART-125)					
							 <p>Artisan Craft (Bd) Ltd. We come when Temperature matters www.artisan-craft.com</p>					
												DWG NO. DR-C-D-007
							MATERIAL:		SCALE:1:30		SHEET 1 OF 1	
							WEIGHT:					
DRAWN		NAME		SIGNATURE		DATE						
CHK'D		Mahmuda				26/02/18						
APPVD		Shahed				26/02/18						
MFG		Shahed				26/02/18						
Q.A												