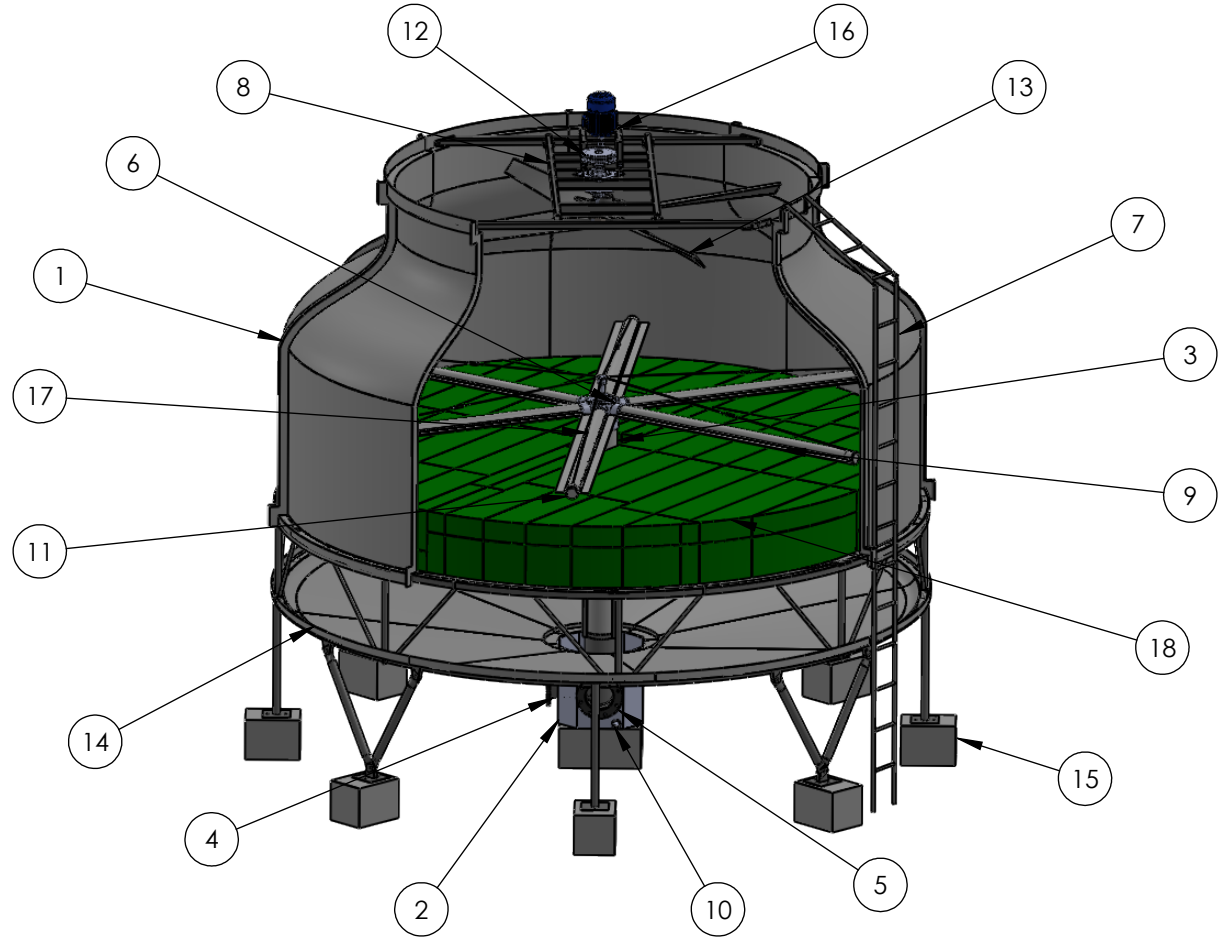


6 5 4 3 2 1

ITEM NO.	PART NAME	QTY.
1	Casing	8
2	Sump	1
3	Vertical Pipe	1
4	Inlet	1
5	Outlet	1
6	Sprinkler head	1
7	Ladder	1
8	Fan Base	1
9	Drift Eliminator	6
10	Tank connector drain	1
11	Distribution pipe	6
12	Bearing House	1
13	Fan	1
14	Basin	8
15	Foundation	9
16	Motor	1
17	Existing Nut	6
18	Infill	84



D

D

C

C


B

B

A

A

6 5 4 3 2 1

UNLESS OTHERWISE SPECIFIED: DIMENSIONS ARE IN MILLIMETERS SURFACE FINISH: TOLERANCES: LINEAR: ANGULAR:				FINISH:		DEBURR AND BREAK SHARP EDGES		DO NOT SCALE DRAWING		REVISION					
								TITLE: <b>Assembly Drawing (ART-500)</b>							
															
DRAWN by		Mahmuda		SIGNATURE		DATE						27/02/18		DWG NO. <b>DR-C-A-011</b>	
CHK'D by		Shahed		SIGNATURE		DATE						27/02/18		A4	
APPV'D by		Shahed		SIGNATURE		DATE		27/02/18		SCALE:1:55					
								MATERIAL: FRP, MS, PVC		SHEET 1 OF 1					
								WEIGHT:							