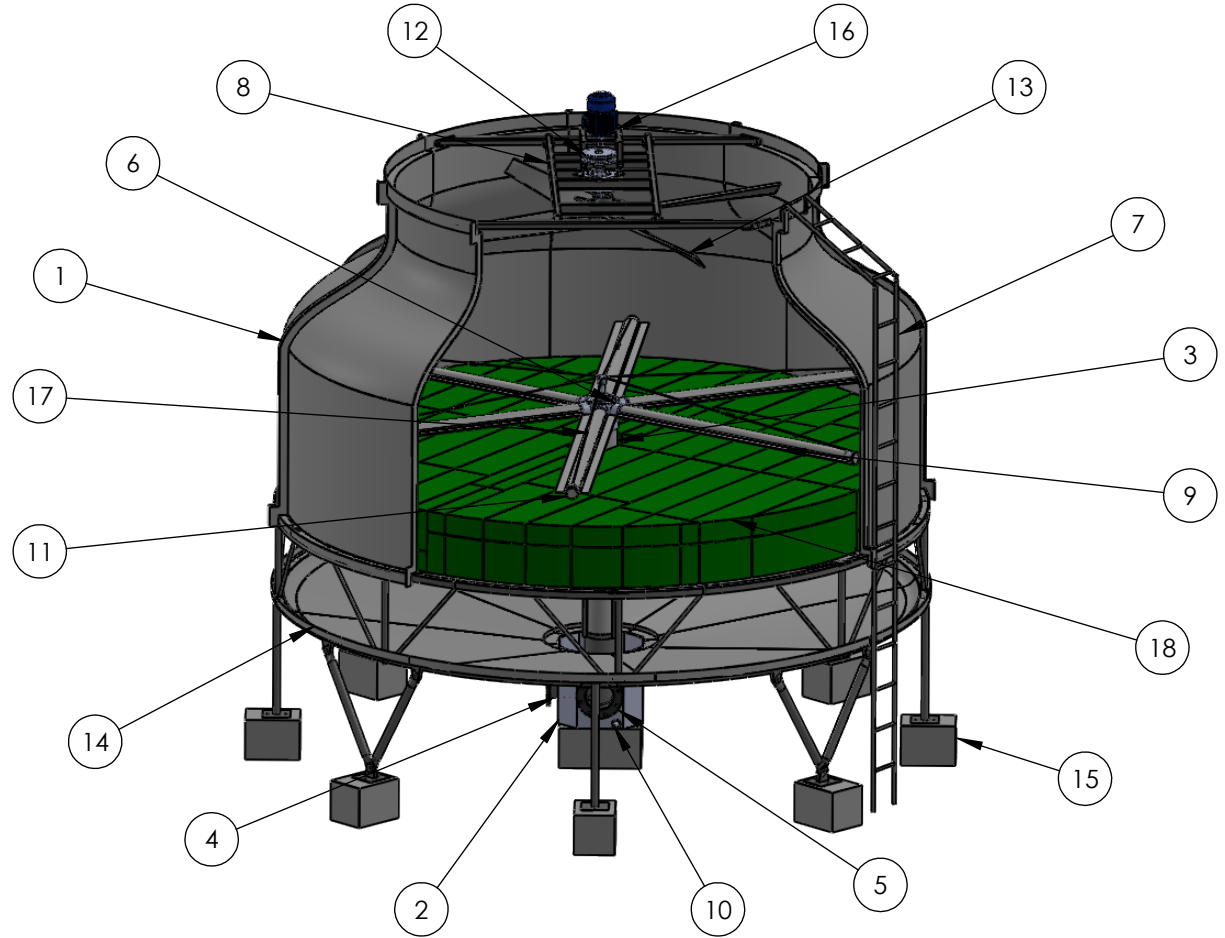



6 5 4 3 2 1

ITEM NO.	PART NAME	QTY.
1	Casing	8
2	Sump	1
3	Vertical Pipe	1
4	Inlet	1
5	Outlet	1
6	Sprinkler head	1
7	Ladder	1
8	Fan Base	1
9	Drift Eliminator	6
10	Tank connector drain	1
11	Distribution pipe	6
12	Bearing House	1
13	Fan	1
14	Basin	8
15	Foundation	9
16	Motor	1
17	Existing Nut	6
18	Infill	84



6 5 4 3 2 1

UNLESS OTHERWISE SPECIFIED: DIMENSIONS ARE IN MILLIMETERS SURFACE FINISH: TOLERANCES: LINEAR: ANGULAR:				FINISH:		DEBURR AND BREAK SHARP EDGES		DO NOT SCALE DRAWING		REVISION	
TITLE: Assembly Drawing (ART-400)											
DRAWN by Mahmuda				SIGNATURE		DATE 27/02/18					
CHK'D by Shahed						27/02/18					
APPV'D by Shahed						27/02/18					
MATERIAL: FRP, MS, PVC						DWG NO. DR-C-A-011		A4			
WEIGHT:						SCALE:1:55		SHEET 1 OF 1			

6 5 4 3 2 1