

D

D

C

C

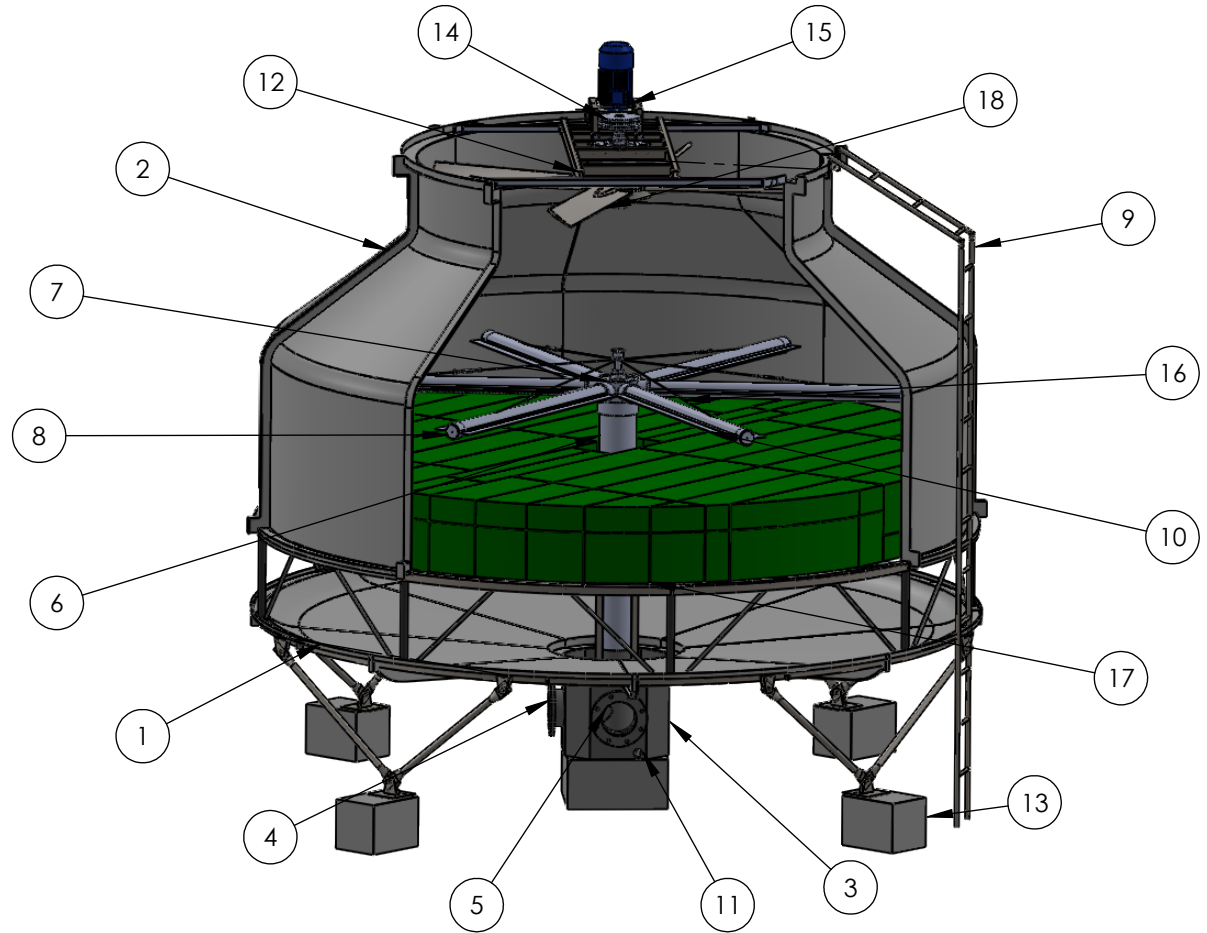
B


B

A

A

ITEM NO.	PART NAME	QTY.
1	Basin	8
2	Casing	8
3	Sump	1
4	Inlet	1
5	Outlet	1
6	Vertical pipe	1
7	Sprinkler head	1
8	Distribution pipe	6
9	Ladder	1
10	Drift eliminator	6
11	Tank connector drain	1
12	Fan base	1
13	Foundation	5
14	Bearing House	1
15	Motor	1
16	Existing nut	6
17	Infill	72
18	Fan	1



UNLESS OTHERWISE SPECIFIED: DIMENSIONS ARE IN MILLIMETERS SURFACE FINISH: TOLERANCES: LINEAR: ANGULAR:				FINISH:		DEBURR AND BREAK SHARP EDGES		DO NOT SCALE DRAWING		REVISION	
TITLE: Assembly Drawing (ART-300)											
DRAWN by Mahmuda				SIGNATURE		DATE 27/02/18					
CHK'D by Shahed						DATE 27/02/18					
APPV'D by Shahed						DATE 27/02/18					
MATERIAL: FRP, MS, PVC						DWG NO. DR-C-A-010		A4			
WEIGHT:						SCALE:1:45		SHEET 1 OF 1			

6

5

4

3

2

1