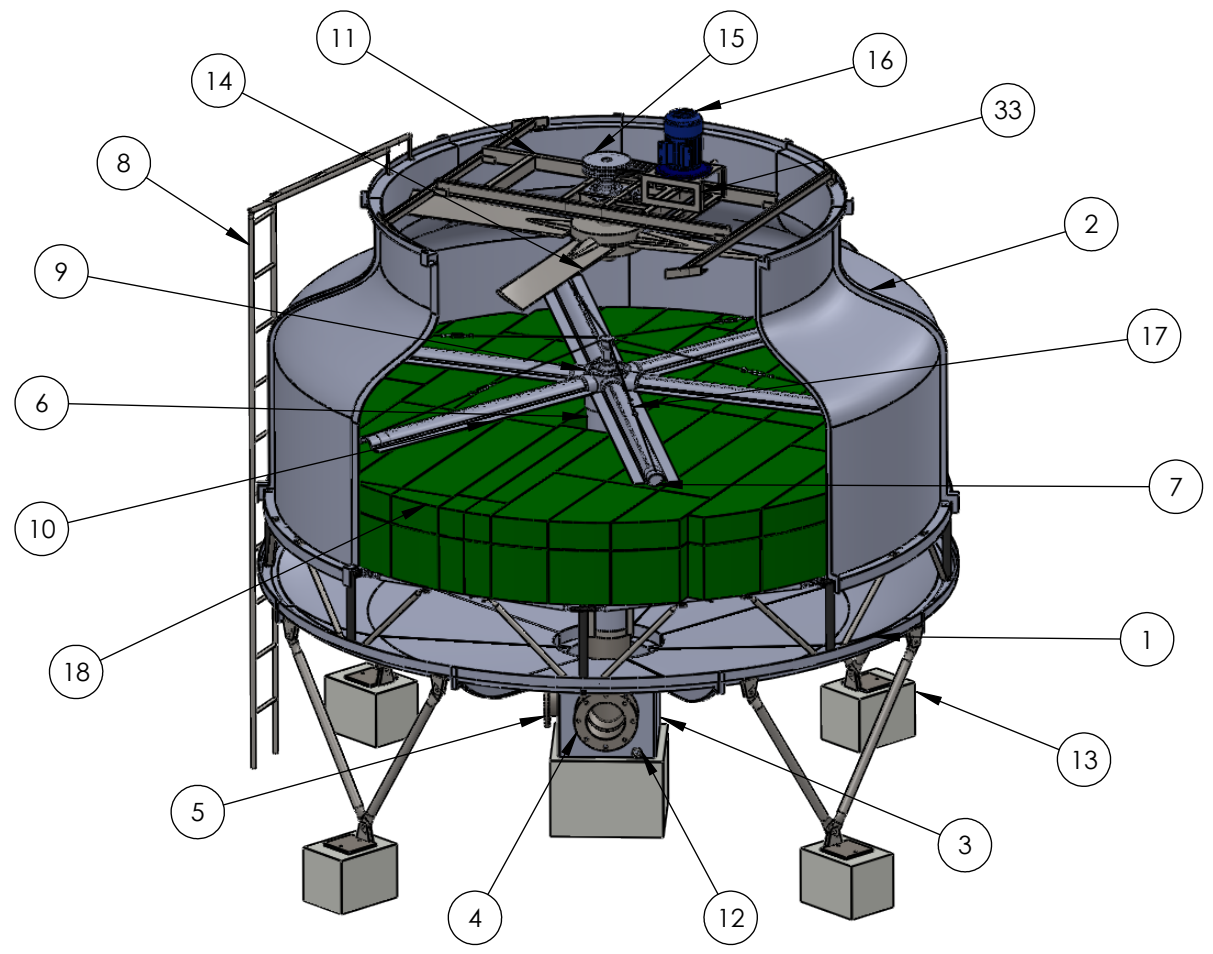



6 5 4 3 2 1

ITEM NO.	PART NAME	QTY.
1	Basin	8
2	Casing	8
3	Sump	1
4	Inlet	1
5	Outlet	1
6	Vertical pipe	1
7	Distribution Pipe	6
8	Ladder	1
9	Sprinkler head	1
10	Drift eliminator	6
11	Fan base	1
12	Tank connector drain	1
13	Foundation	5
14	Fan	1
15	Bearing House	1
16	Motor	1
17	Existing nut	6
18	Infill	72



UNLESS OTHERWISE SPECIFIED: DIMENSIONS ARE IN MILLIMETERS SURFACE FINISH: TOLERANCES: LINEAR: ANGULAR:			FINISH:		DEBURR AND BREAK SHARP EDGES		DO NOT SCALE DRAWING		REVISION					
							TITLE: Assembly Drawing (ART-250)							
							 <p>Artisan Craft (Bd) Ltd. We come when Temperature matters www.artisan-craft.com</p>							
DRAWN by		Mahmuda		SIGNATURE		DATE						27/02/18		
CHK'D by		Shahed		SIGNATURE		DATE						27/02/18		
APPV'D by		Shahed		SIGNATURE		DATE						27/02/18		
							MATERIAL:		DWG NO.		A4			
							FRP, MS, PVC		DR-C-A-009					
							WEIGHT:		SCALE:1:40		SHEET 1 OF 1			

6 5 4 3 2 1

D

C

B

A

D

C

B

A