

D

C

B

A

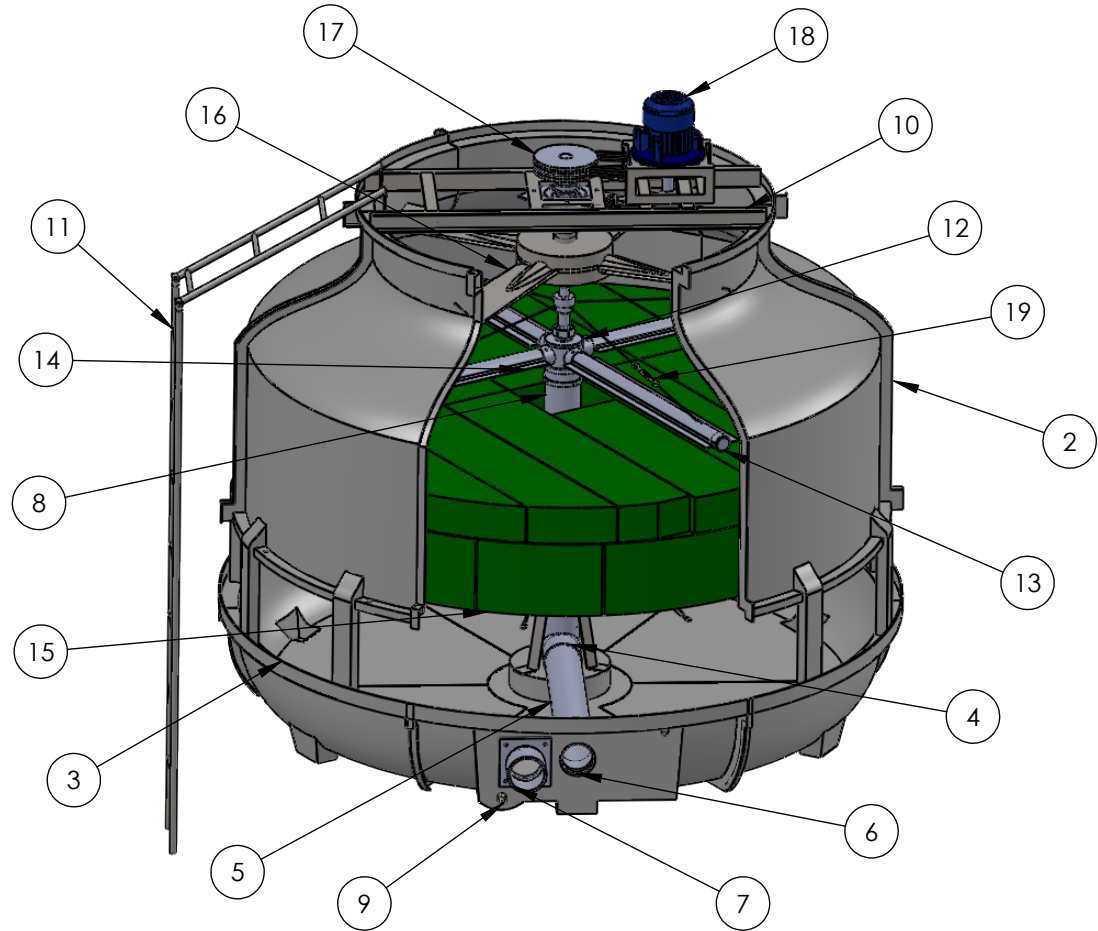
D


C

B

A

ITEM NO.	PART NAME	QTY.
1	Sump	1
2	Casing	6
3	Basin	5
4	Elbow	1
5	Horizontal pipe	1
6	Inlet	1
7	Outlet	1
8	Vertical pipe	1
9	Tank Connector Drain	1
10	Fan base	1
11	Ladder	1
12	Sprinkler head	1
13	Distribution pipe	4
14	Drift Eliminator	4
15	Infill	1
16	Fan	1
17	Bearing House	1
18	Motor	1
19	Existing Nut	4



UNLESS OTHERWISE SPECIFIED: DIMENSIONS ARE IN MILLIMETERS SURFACE FINISH: TOLERANCES: LINEAR: ANGULAR:				FINISH:		DEBURR AND BREAK SHARP EDGES		DO NOT SCALE DRAWING		REVISION	
TITLE: Assembly Drawing (ART-125)											
DRAWN by		NAME		SIGNATURE		DATE					
CHK'D by		Shahed				26/02/18					
APPV'D by		Shahed				26/02/18					
MATERIAL: FRP, MS, PVC								DWG NO. DR-C-A-007		A4	
WEIGHT:								SCALE:1:30		SHEET 1 OF 1	

6

5

4

3

2

1