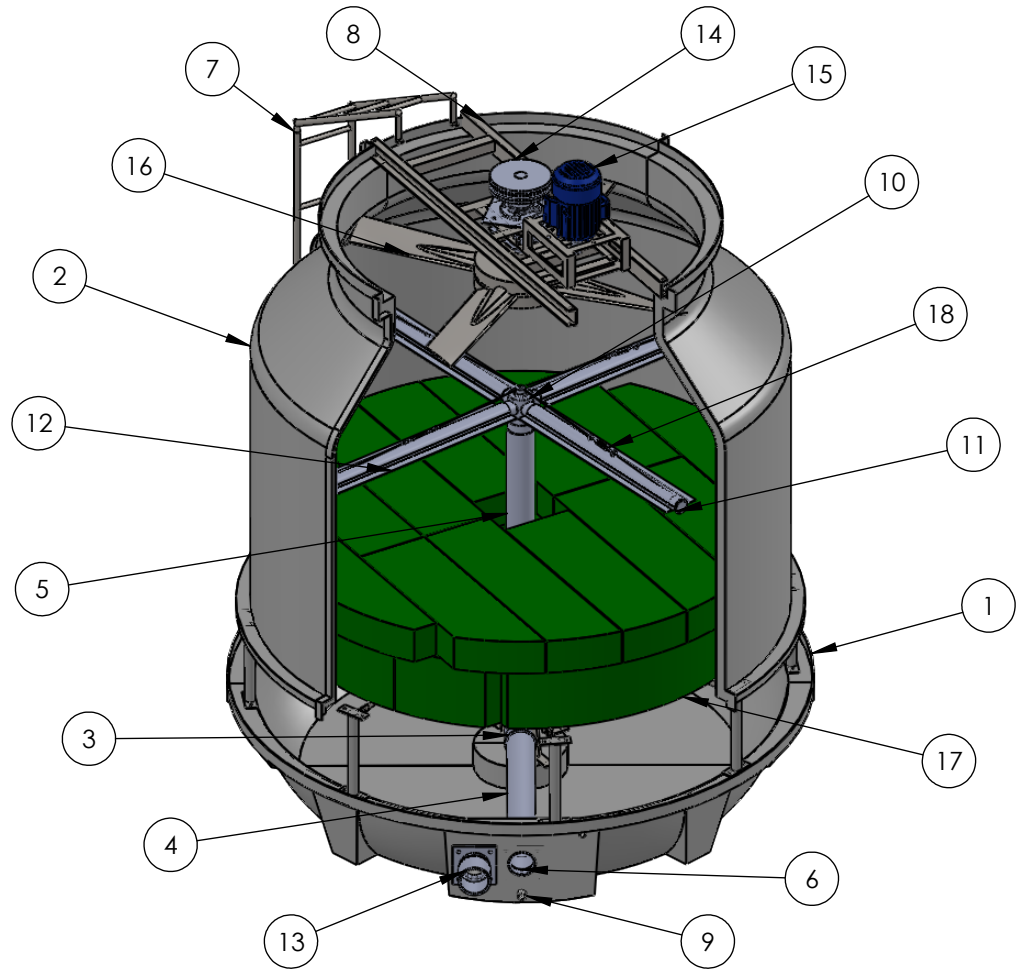


6 5 4 3 2 1

ITEM NO.	PART NAME	QTY.
1	Basin	2
2	Casing	4
3	Elbow	1
4	Horizontal pipe	1
5	Vertical pipe	1
6	Inlet	1
7	Ladder	1
8	Fan base	1
9	Tank Connector Drain	1
10	Sprinkler Head	1
11	Distribution Pipe	4
12	Drift Eliminator	4
13	Outlet	1
14	Bearing House	1
15	Motor	1
16	Fan	1
17	Infill	24
18	Existing Nut	4



D

D

C

C


B

B

A

A

6 5 4 3 2 1

UNLESS OTHERWISE SPECIFIED: DIMENSIONS ARE IN MILLIMETERS SURFACE FINISH: TOLERANCES: LINEAR: ANGULAR:				FINISH:		DEBURR AND BREAK SHARP EDGES		DO NOT SCALE DRAWING		REVISION	
								TITLE: <b>Assembly Drawing (ART-100)</b>			
DRAWN by Mahmuda				SIGNATURE		DATE 26/02/18					
CHK'D by Shahed						26/02/18					
APPV'D by Shahed						26/02/18					
						MATERIAL: FRP, MS, PVC		DWG NO. DR-C-A-006		A4	
						WEIGHT:		SCALE:1:31		SHEET 1 OF 1	