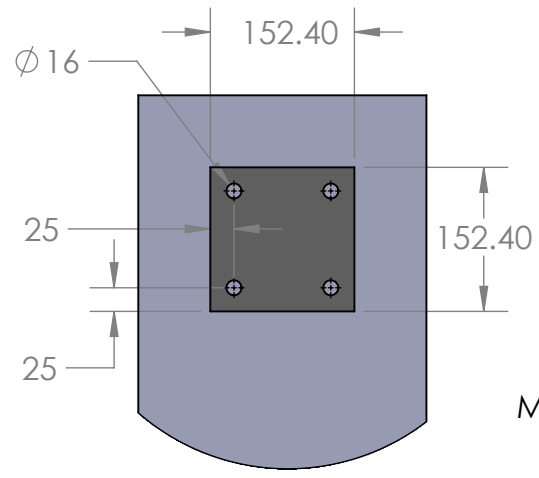
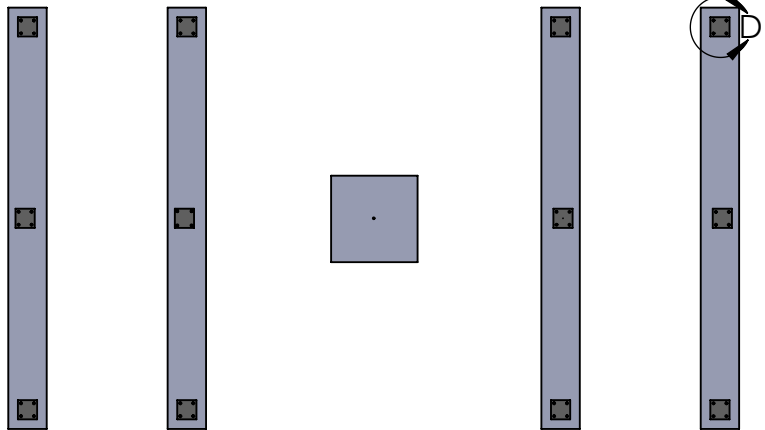


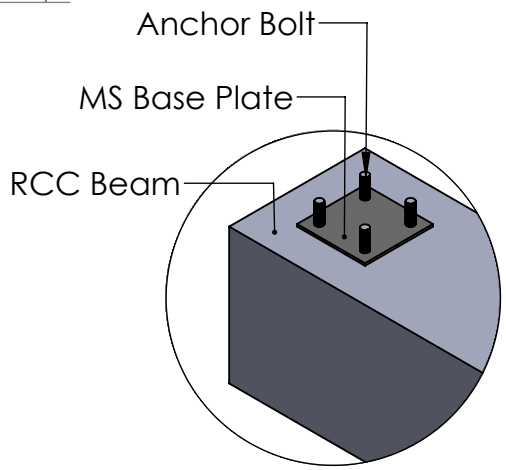
6 5 4 3 2 1

D

D



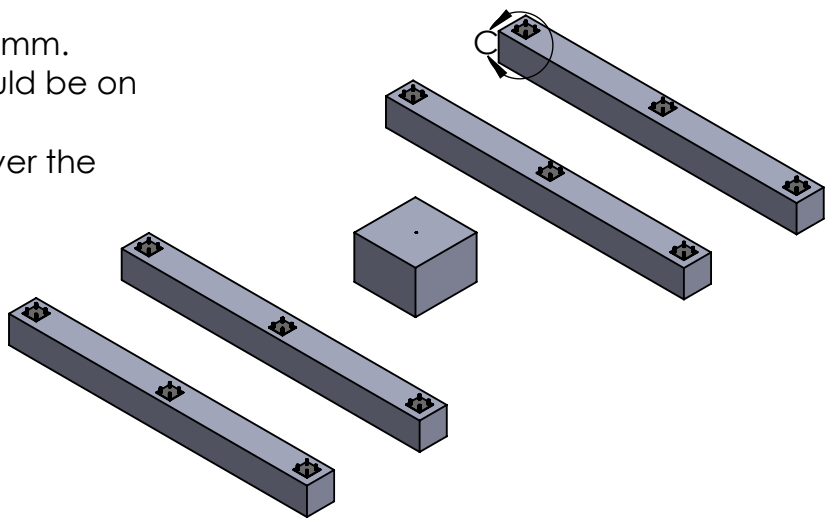
DETAIL D
SCALE 1 : 8



DETAIL C
SCALE 1 : 12

Remarks:

- (1) All dimensions are in mm.
- (2) The foundations should be on the same level.
- (3) Load is distributed over the foundation equally.



B

B

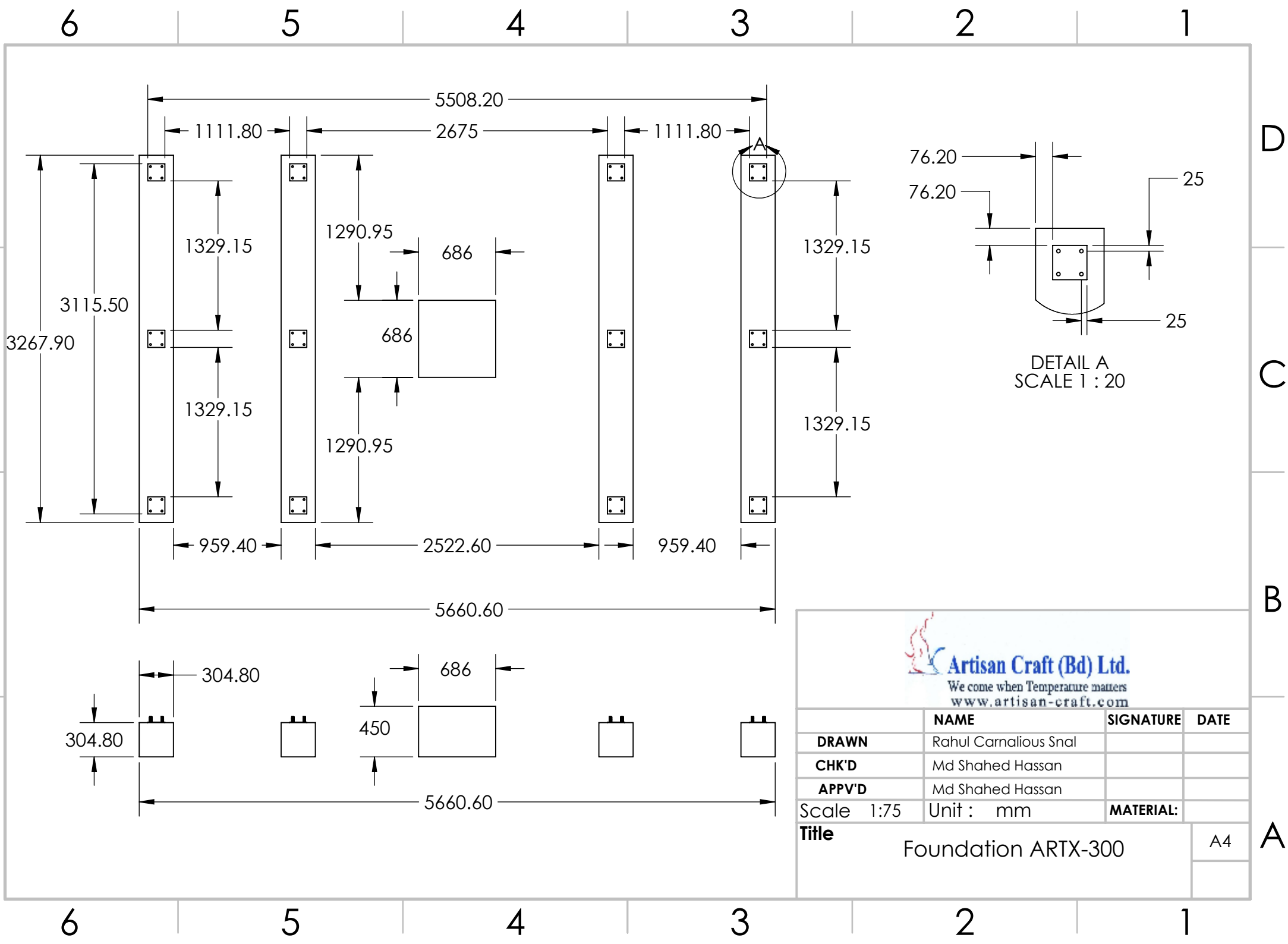


	NAME	SIGNATURE	DATE
DRAWN	Rahul Carnaliuous Snal		
CHK'D	Md Shated Hassan		
APPV'D	Md Shated Hassan		
Scale 1:75	Unit : mm	MATERIAL:	
Title			A4
ARTX-300 main foundation-Part1			

A

A

6 5 4 3 2 1



	NAME	SIGNATURE	DATE
DRAWN	Rahul Carnaliuous Snal		
CHK'D	Md Shahed Hassan		
APPV'D	Md Shahed Hassan		
Scale 1:75	Unit : mm	MATERIAL:	
Title Foundation ARTX-300			A4